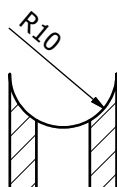
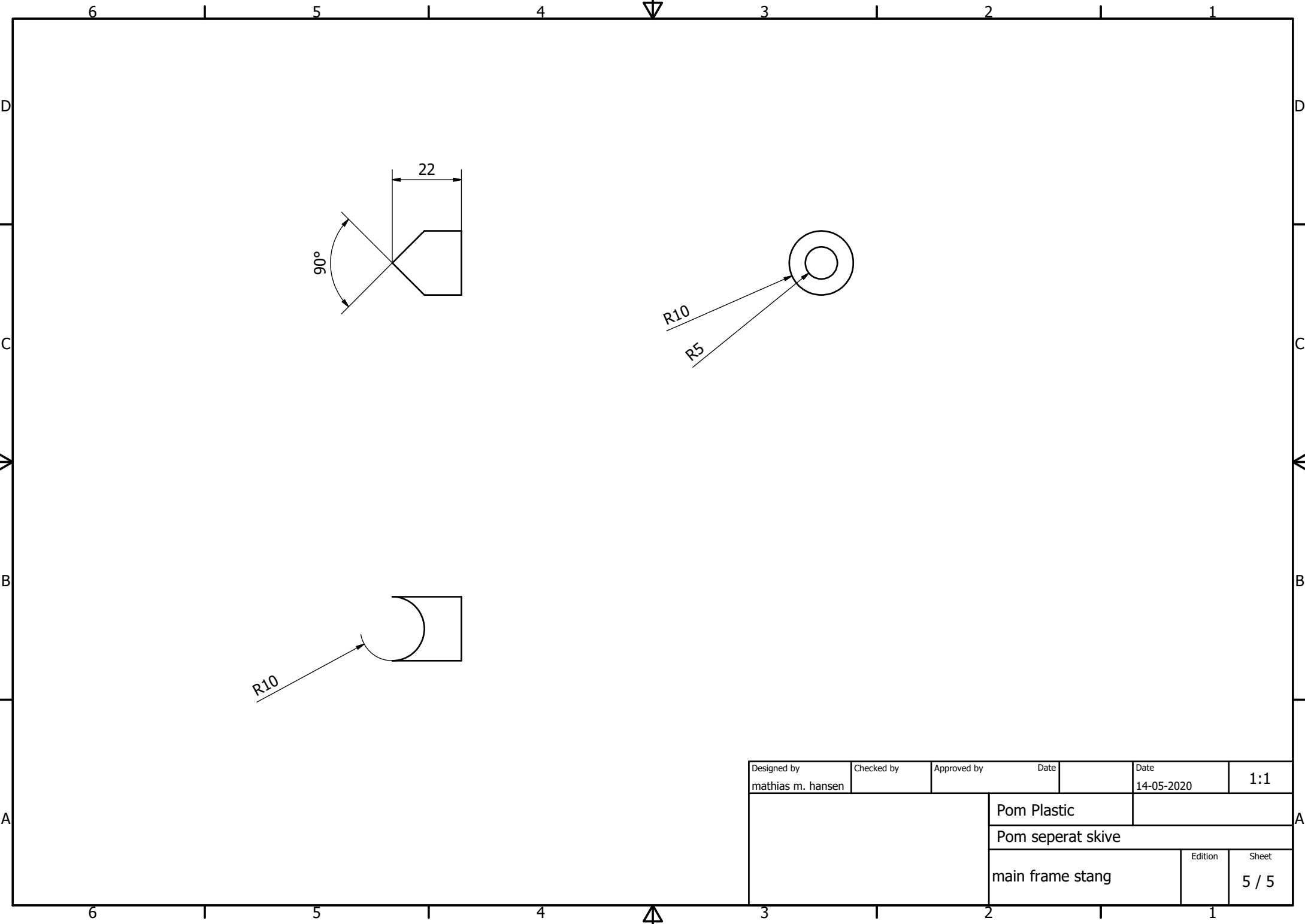


A-A (1 : 1)

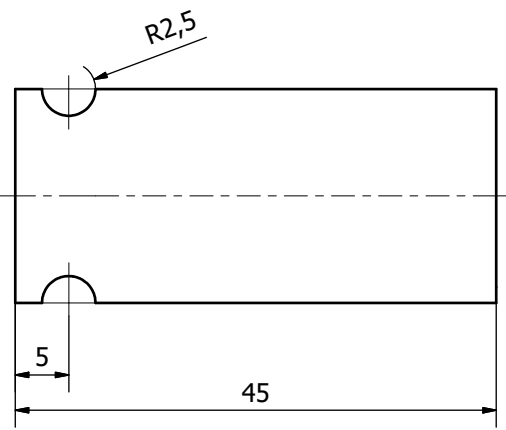
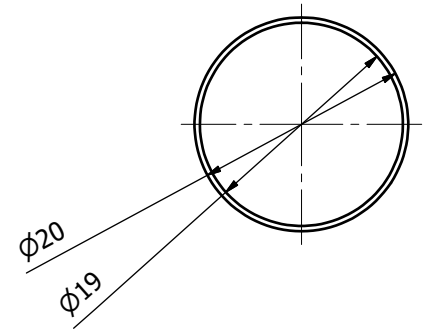
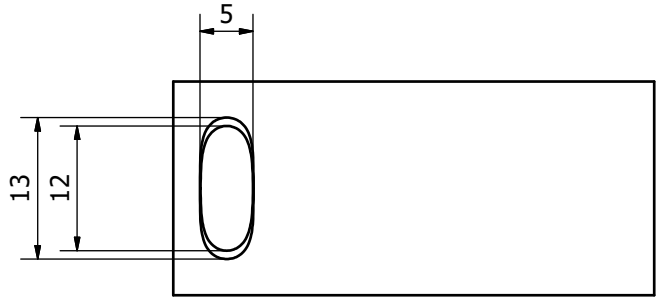


*all mesurment in mm

Designed by mathias m. hansen	Checked by	Approved by	Date	Date 14-05-2020	1:1
			Aluminium		A
			Aksel guide		
			main frame stang		Edition Sheet 4 / 5

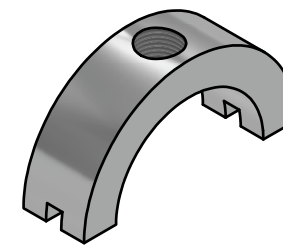
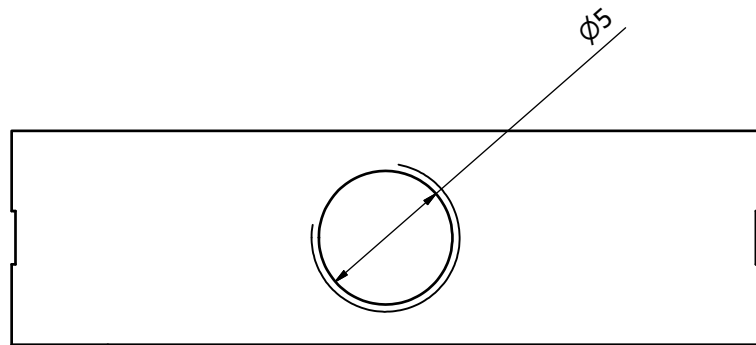
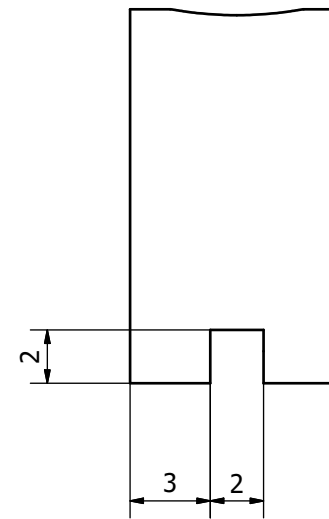
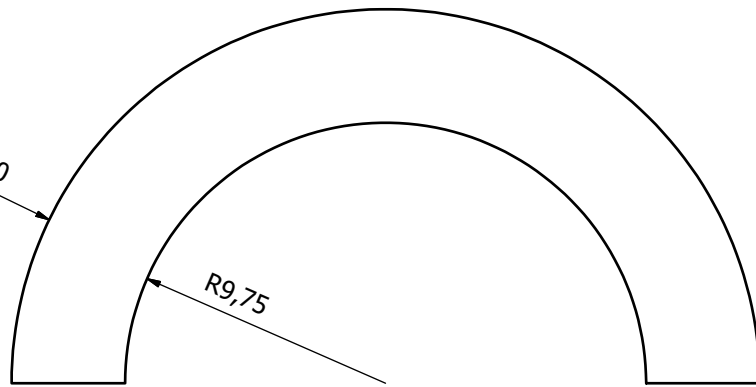


Designed by mathias m. hansen	Checked by	Approved by	Date	Date 14-05-2020	1:1	
			Pom Plastic			
			Pom seperat skive			
			main frame stang		Edition Sheet 5 / 5	



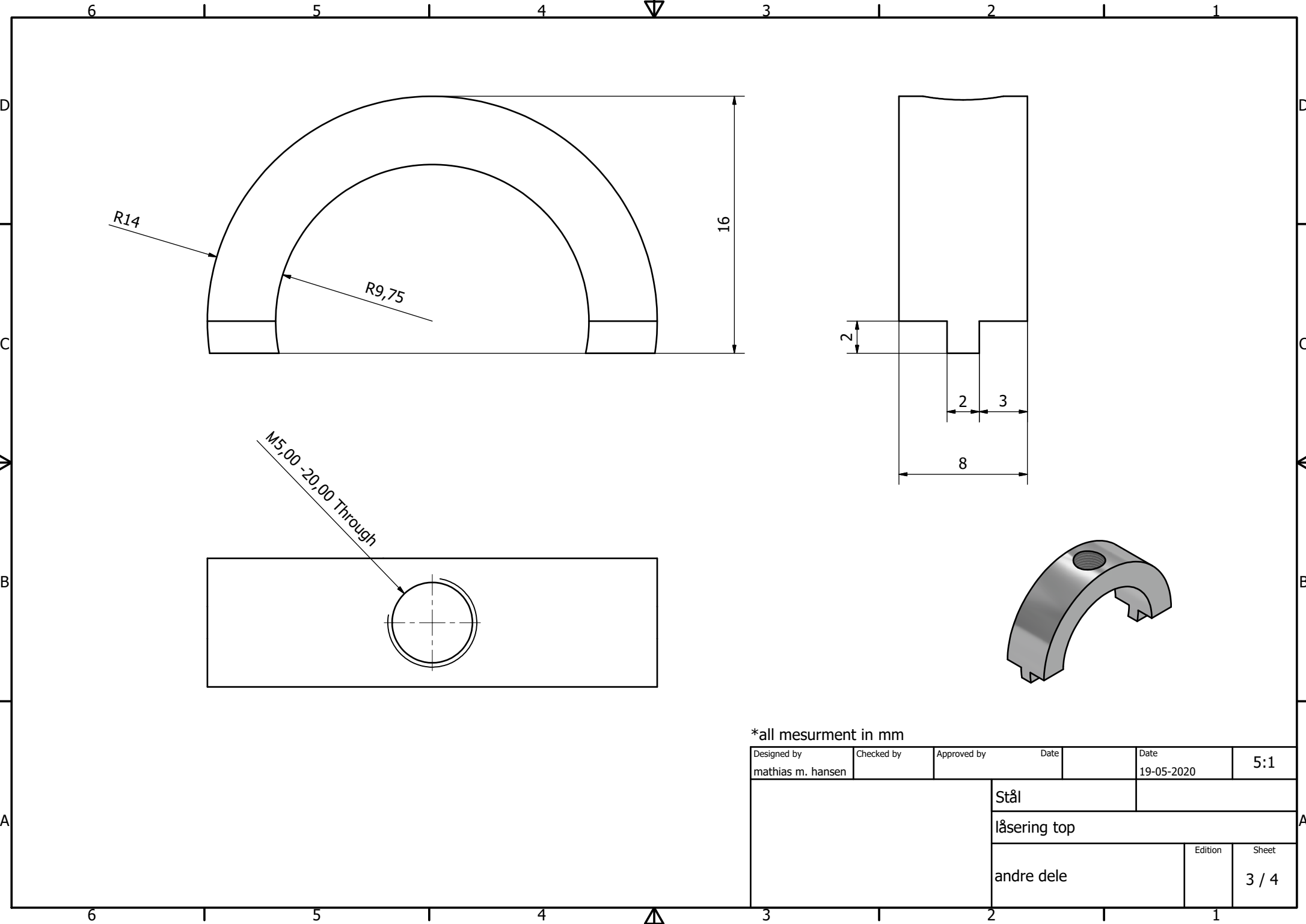
*all mesurment in mm

Designed by mathias m. hansen	Checked by	Approved by	Date	Date 14-05-2020	2:1	
			Aluminium			
			Top og bund dele			
			main frame stang		Edition	Sheet 2 / 5



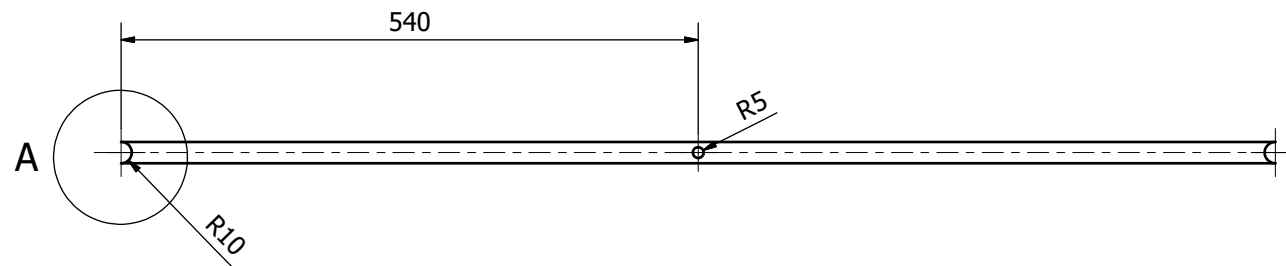
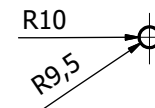
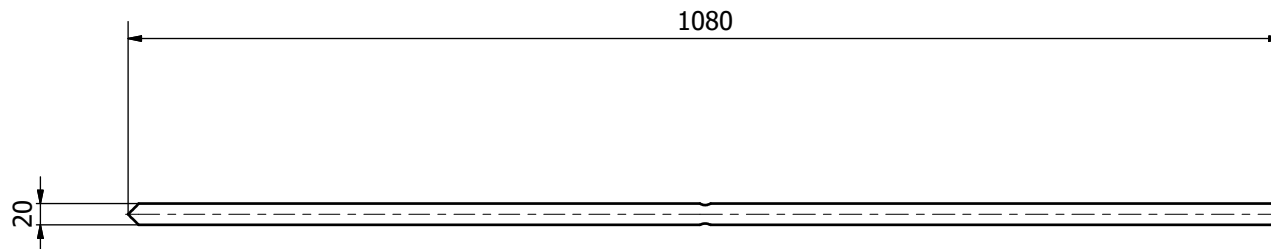
*all mesurment in mm

Designed by mathias m. hansen	Checked by	Approved by	Date	Date 19-05-2020	5:1	
			Stål			
			låsering top			
			andre dele		Edition	Sheet 4 / 4

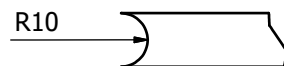


*all mesurment in mm

Designed by mathias m. hansen	Checked by	Approved by	Date	Date 19-05-2020	5:1
			Stål		
			låsering top		
			andre dele	Edition	Sheet 3 / 4

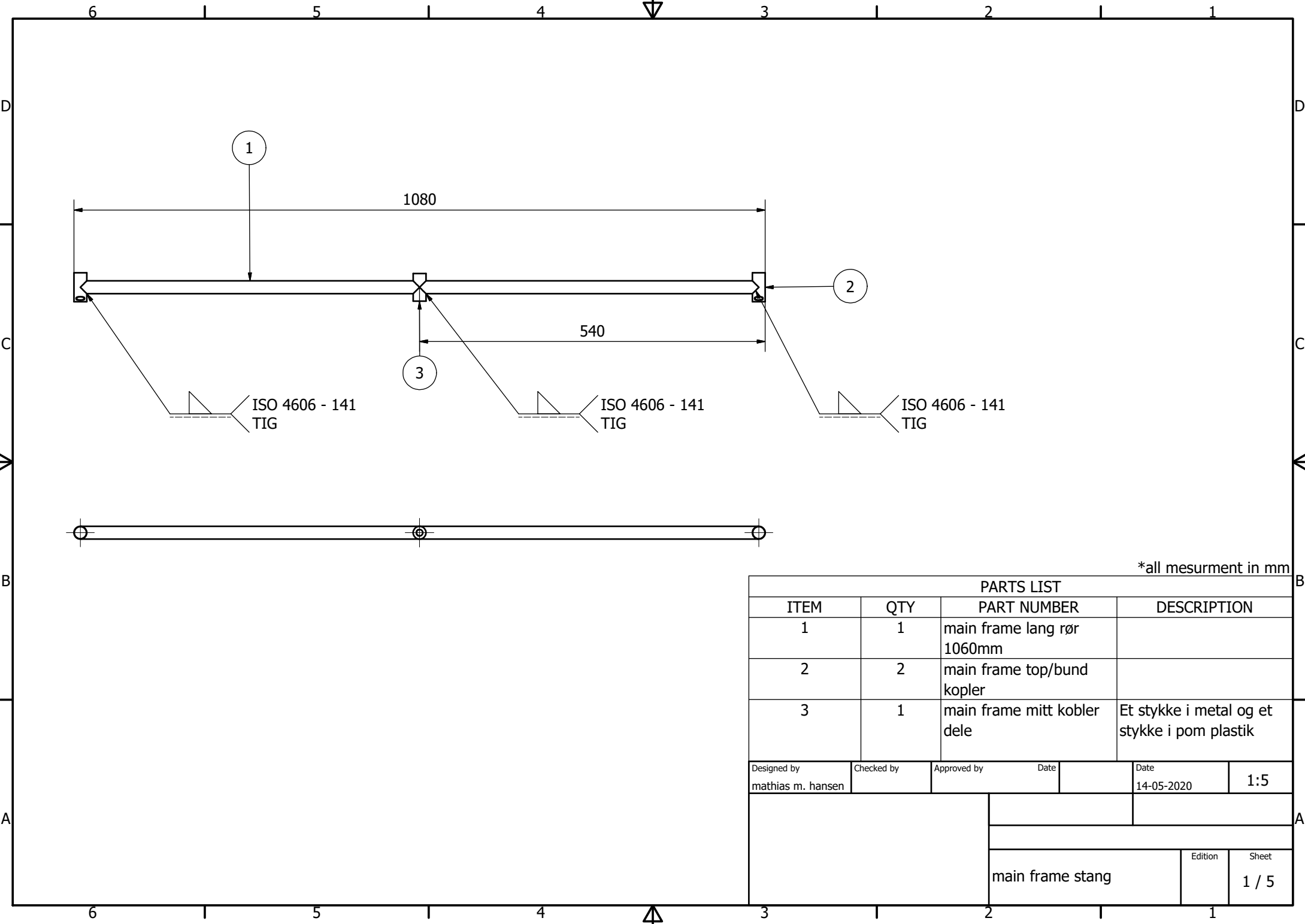


A (1 : 2)



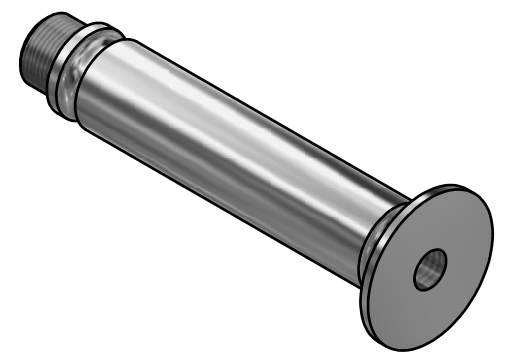
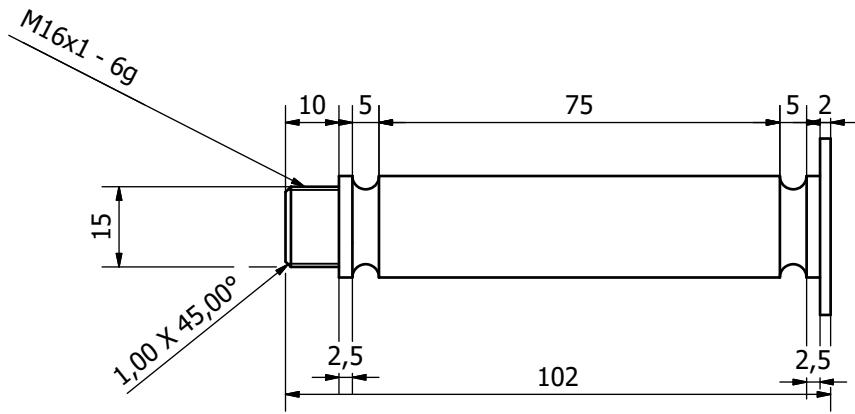
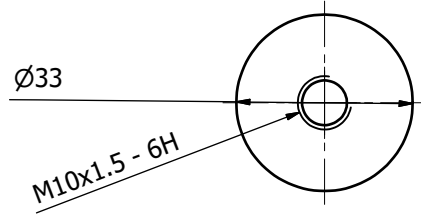
*all mesurment in mm

Designed by mathias m. hansen	Checked by	Approved by	Date	Date 14-05-2020	1:5
			Aluminium		
			hoved stang		
main frame stang			Edition	Sheet	3 / 5



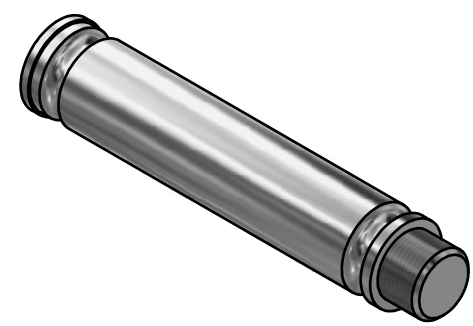
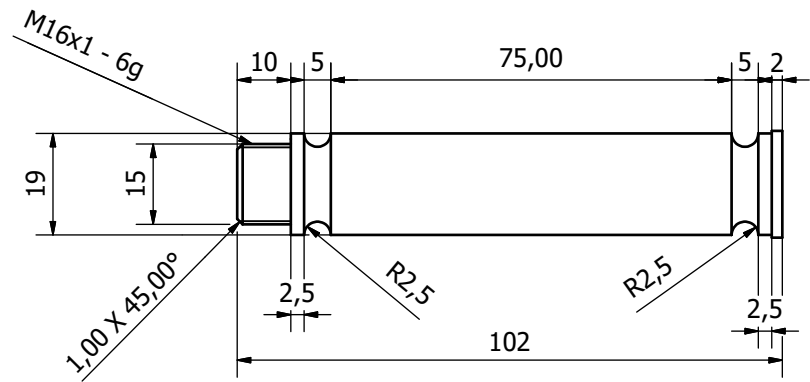
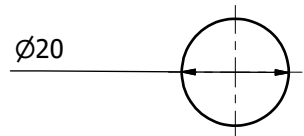
*all mesurment in mm

PARTS LIST			
ITEM	QTY	PART NUMBER	DESCRIPTION
1	1	main frame lang rør 1060mm	
2	2	main frame top/bund kopler	
3	1	main frame mitt kobler	Et stykke i metal og et stykke i pom plastik
Designed by mathias m. hansen		Checked by	Approved by
		Date	Date
		14-05-2020	1:5
		main frame stang	
		Edition	Sheet
			1 / 5



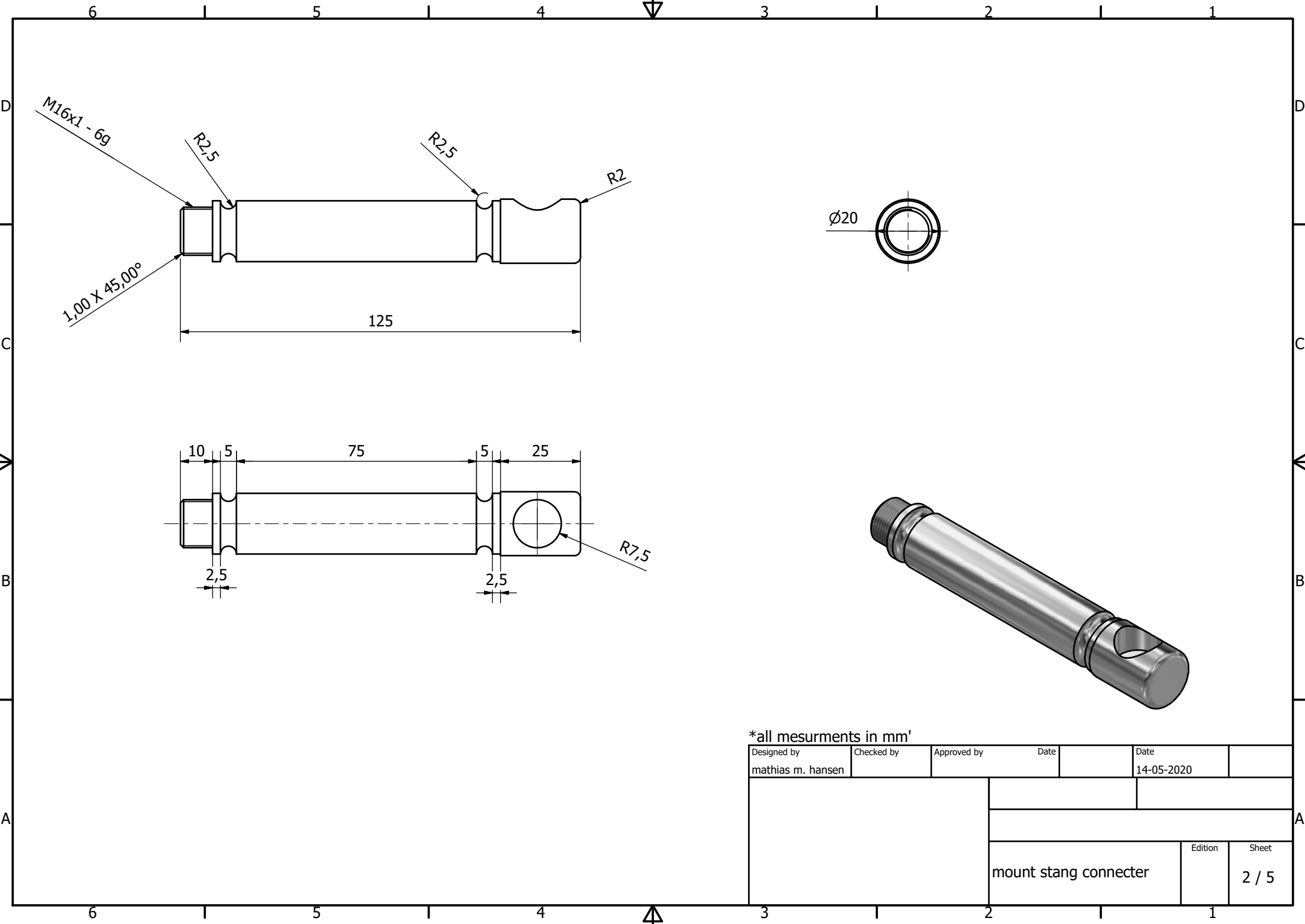
*all mesurments in mm'

Designed by mathias m. hansen	Checked by	Approved by	Date	Date 14-05-2020
		mount stang connector	Edition	Sheet 4 / 5



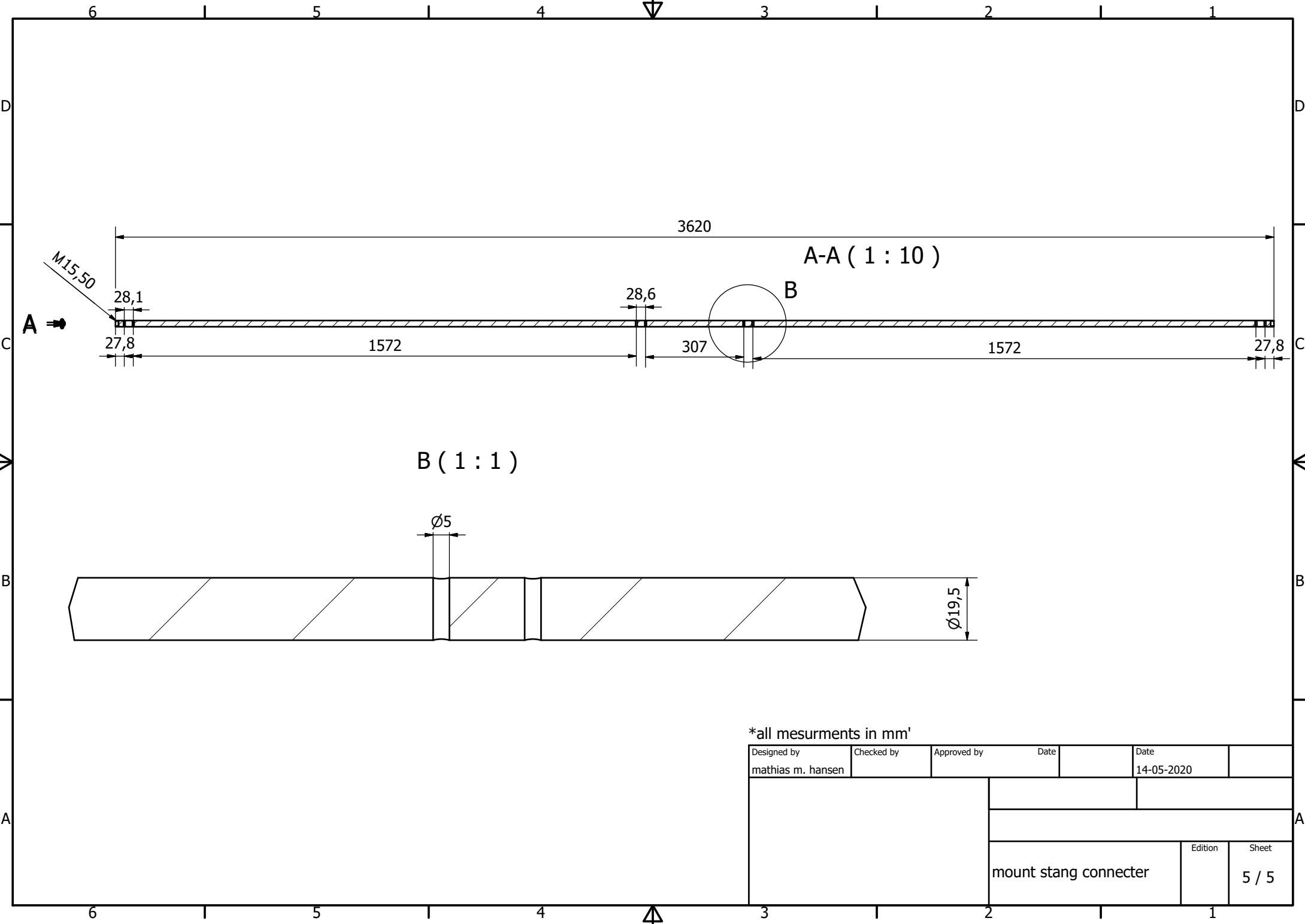
*all mesurments in mm'

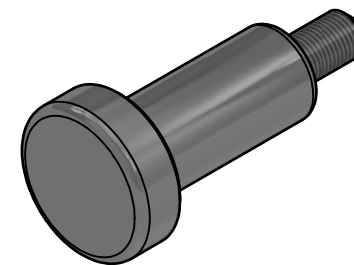
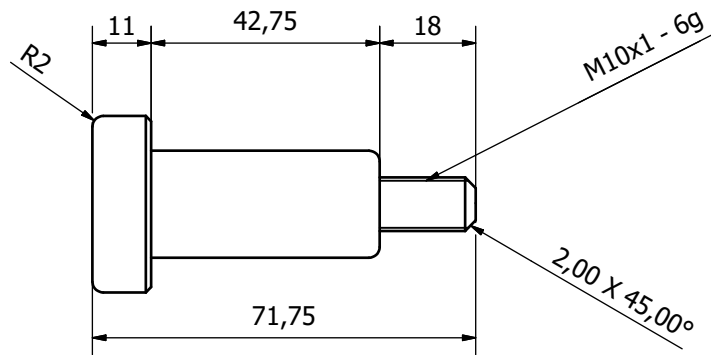
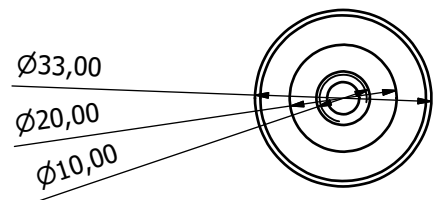
Designed by	Checked by	Approved by	Date	Date	
mathias m. hansen				14-05-2020	
			mount stang connector	Edition	Sheet
					3 / 5



*all mesurments in mm'

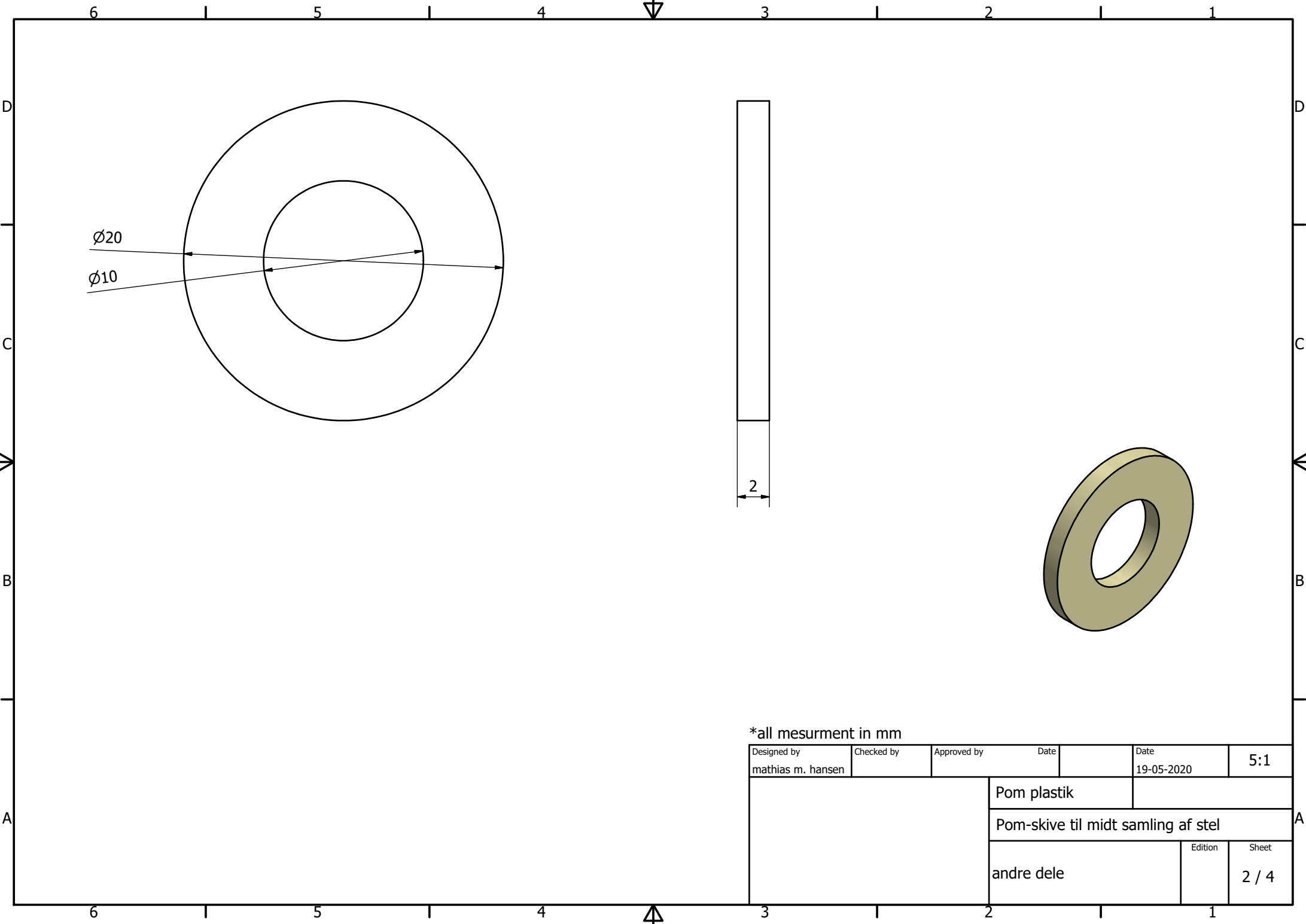
Designed by mathias m. hansen	Checked by	Approved by	Date	Date 14-05-2020
		mount stang connector	Edition	Sheet 2 / 5





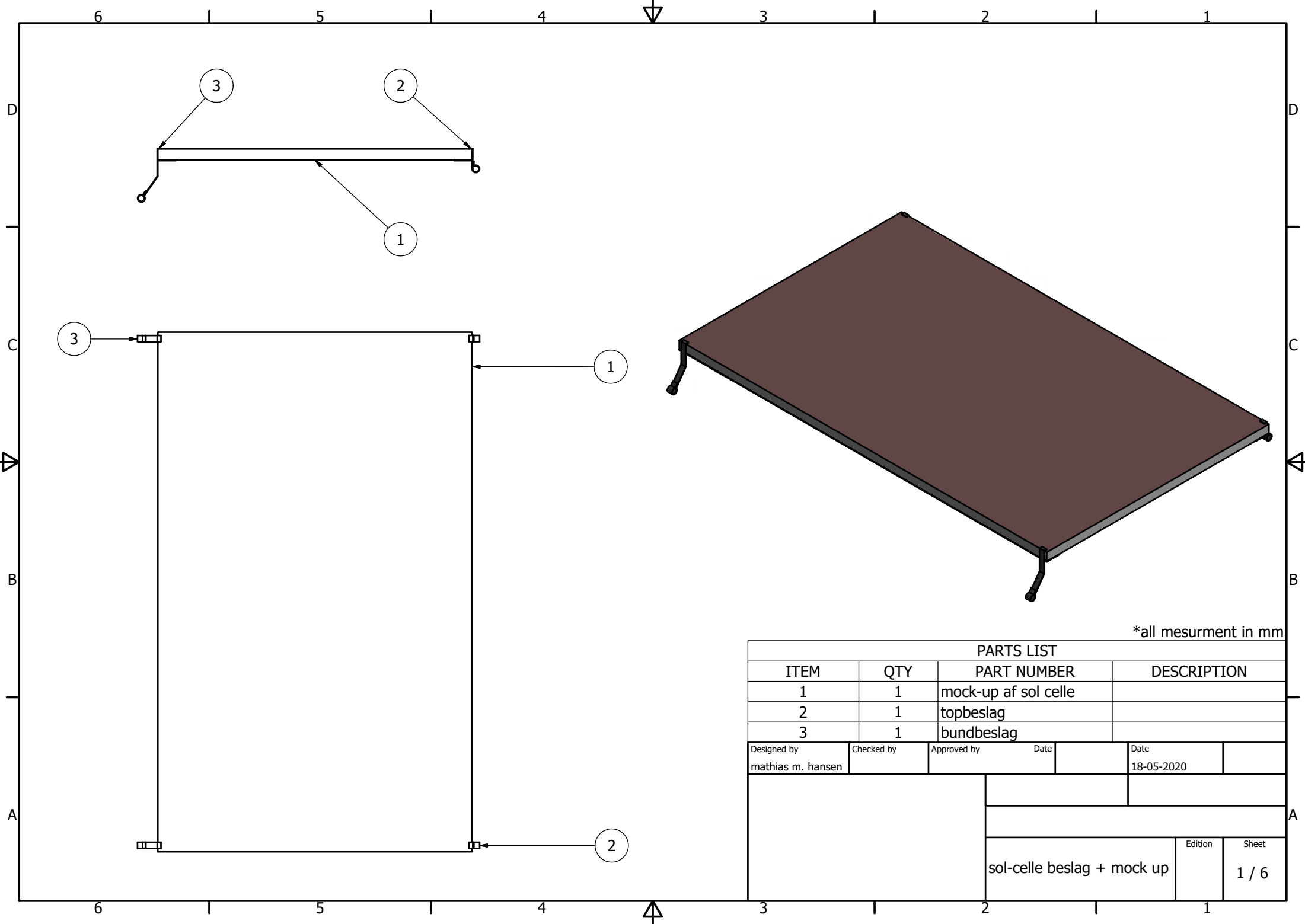
*all mesurment in mm

Designed by mathias m. hansen	Checked by	Approved by	Date	Date 19-05-2020	1:1	
			Carbon stål			
			Hjul aksel blot			
			andre dele		Edition	Sheet 1 / 4



*all mesurment in mm

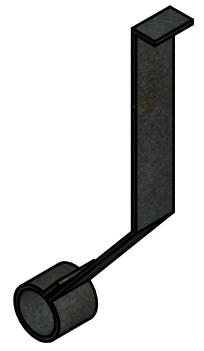
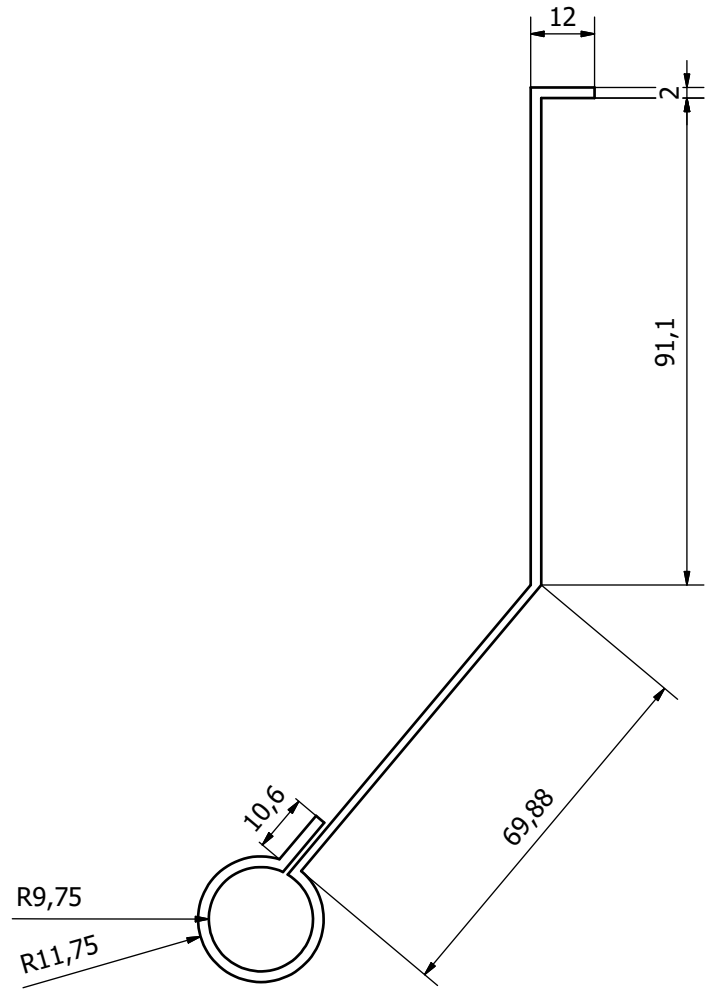
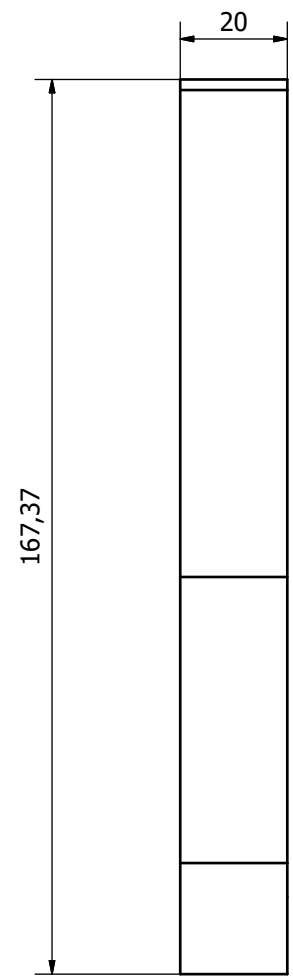
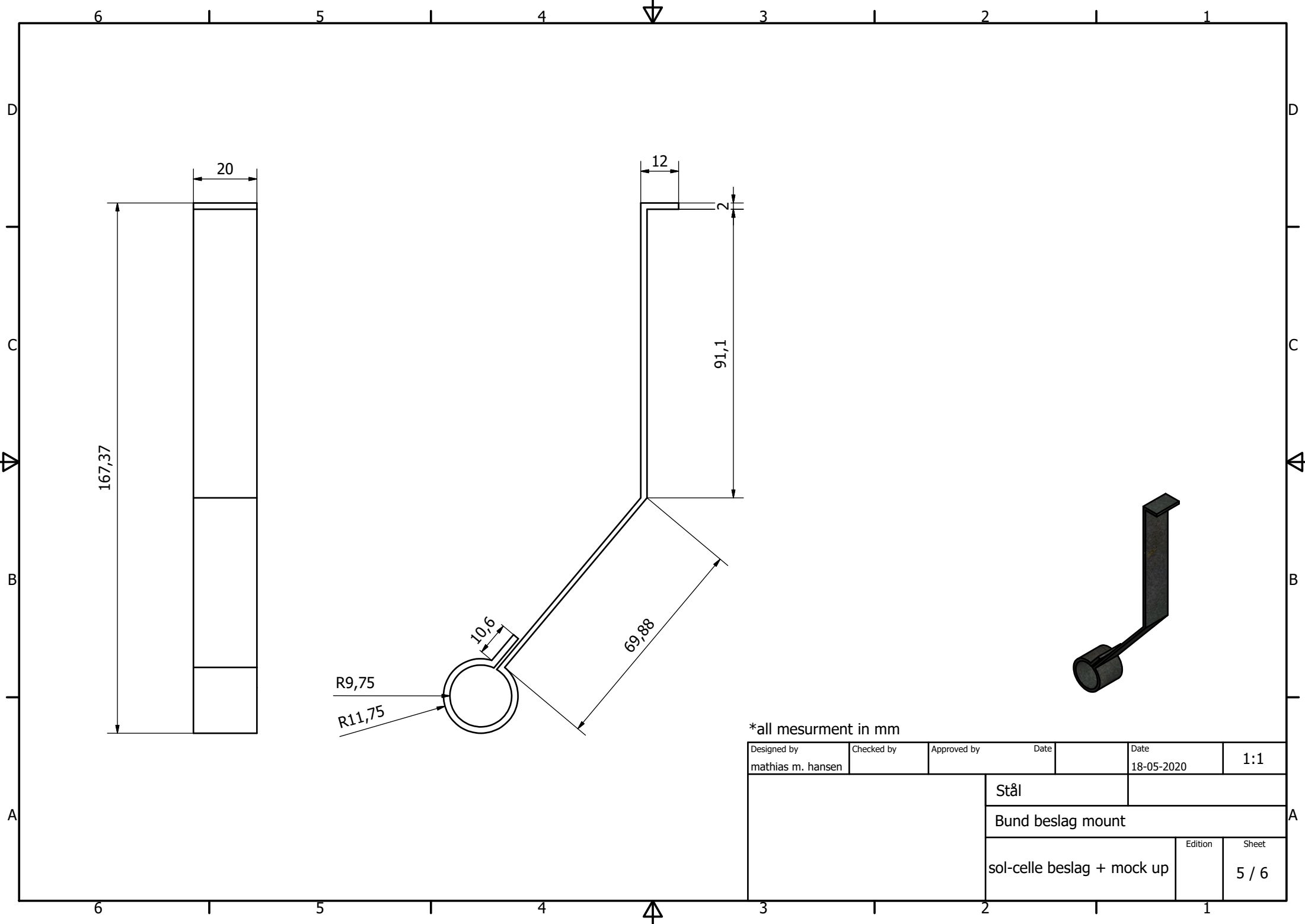
Designed by mathias m. hansen	Checked by	Approved by	Date	Date 19-05-2020	5:1	
			Pom plastik			
			Pom-skive til midt samling af stel			
			andre dele		Edition	Sheet 2 / 4



*all mesurment in mm

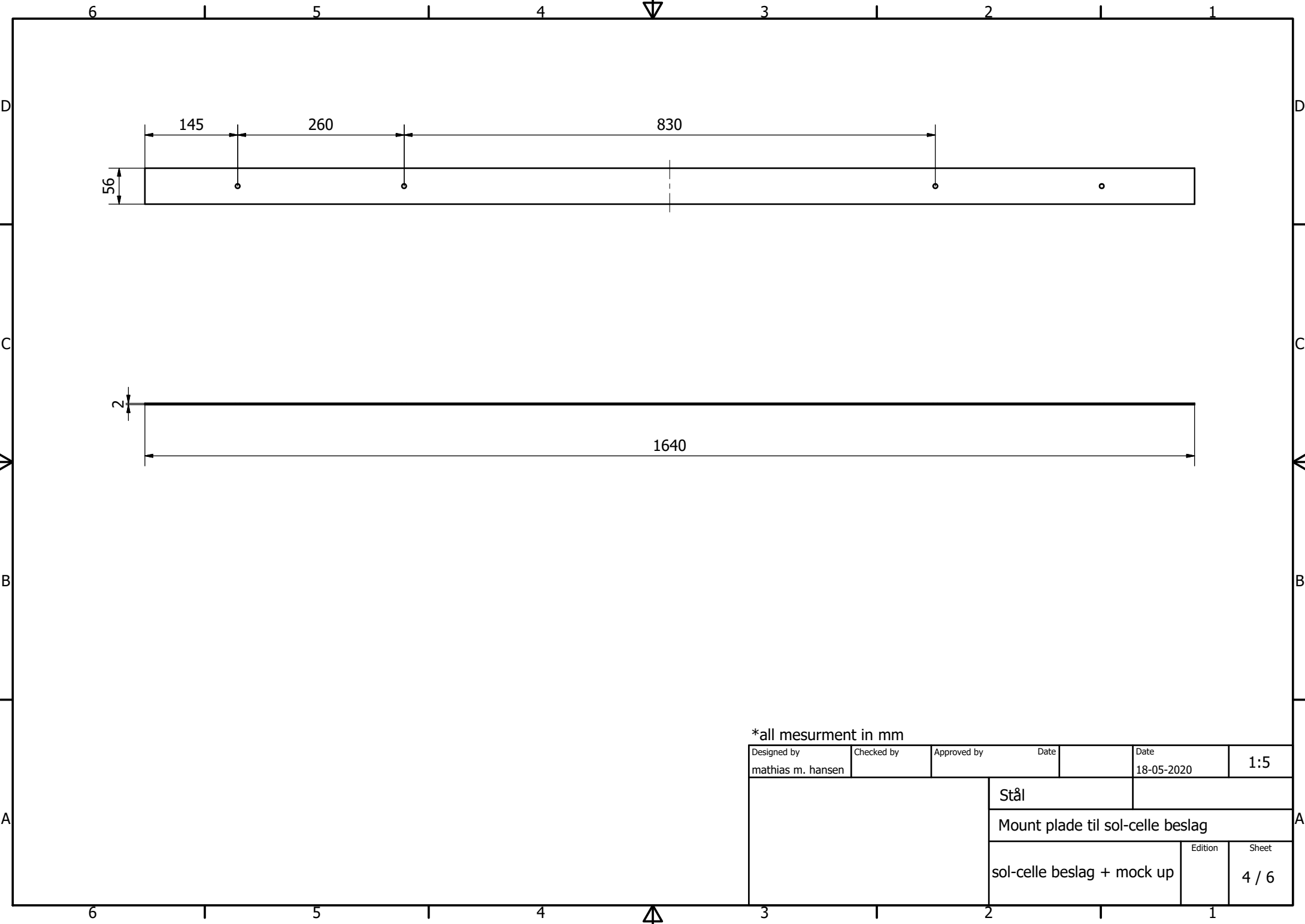
PARTS LIST			
ITEM	QTY	PART NUMBER	DESCRIPTION
1	1	mock-up af sol celle	
2	1	topbeslag	
3	1	bundbeslag	

Designed by	Checked by	Approved by	Date	Date
mathias m. hansen				18-05-2020
sol-celle beslag + mock up		Edition	Sheet	
			1 / 6	



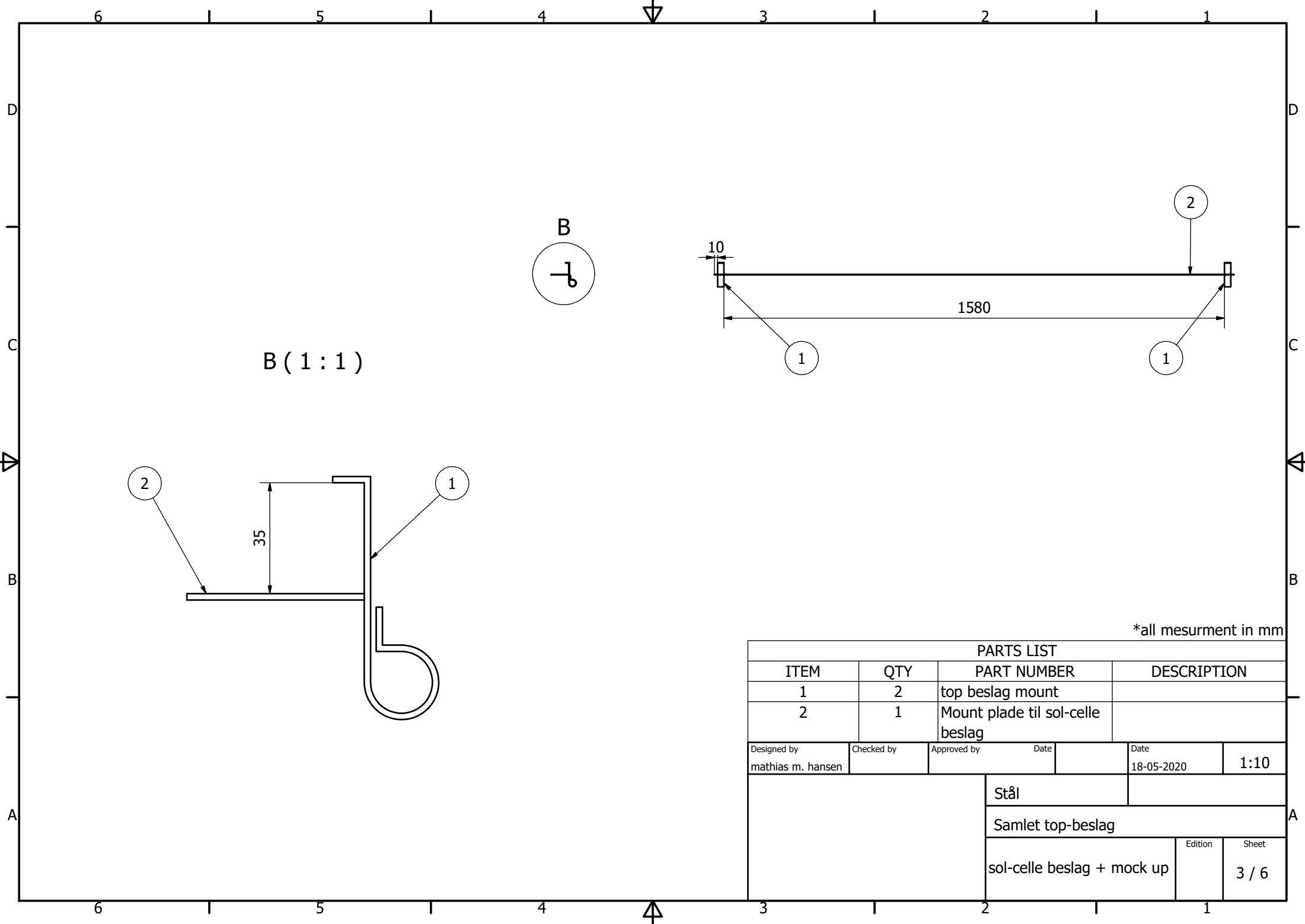
*all mesurment in mm

Designed by mathias m. hansen	Checked by	Approved by	Date	Date 18-05-2020	1:1	
			Stål			
			Bund beslag mount			
			sol-celle beslag + mock up		Edition	Sheet 5 / 6



*all mesurment in mm

Designed by mathias m. hansen	Checked by	Approved by	Date	Date 18-05-2020	1:5		
			Stål				
			Mount plade til sol-celle beslag				
			sol-celle beslag + mock up		Edition	Sheet	4 / 6



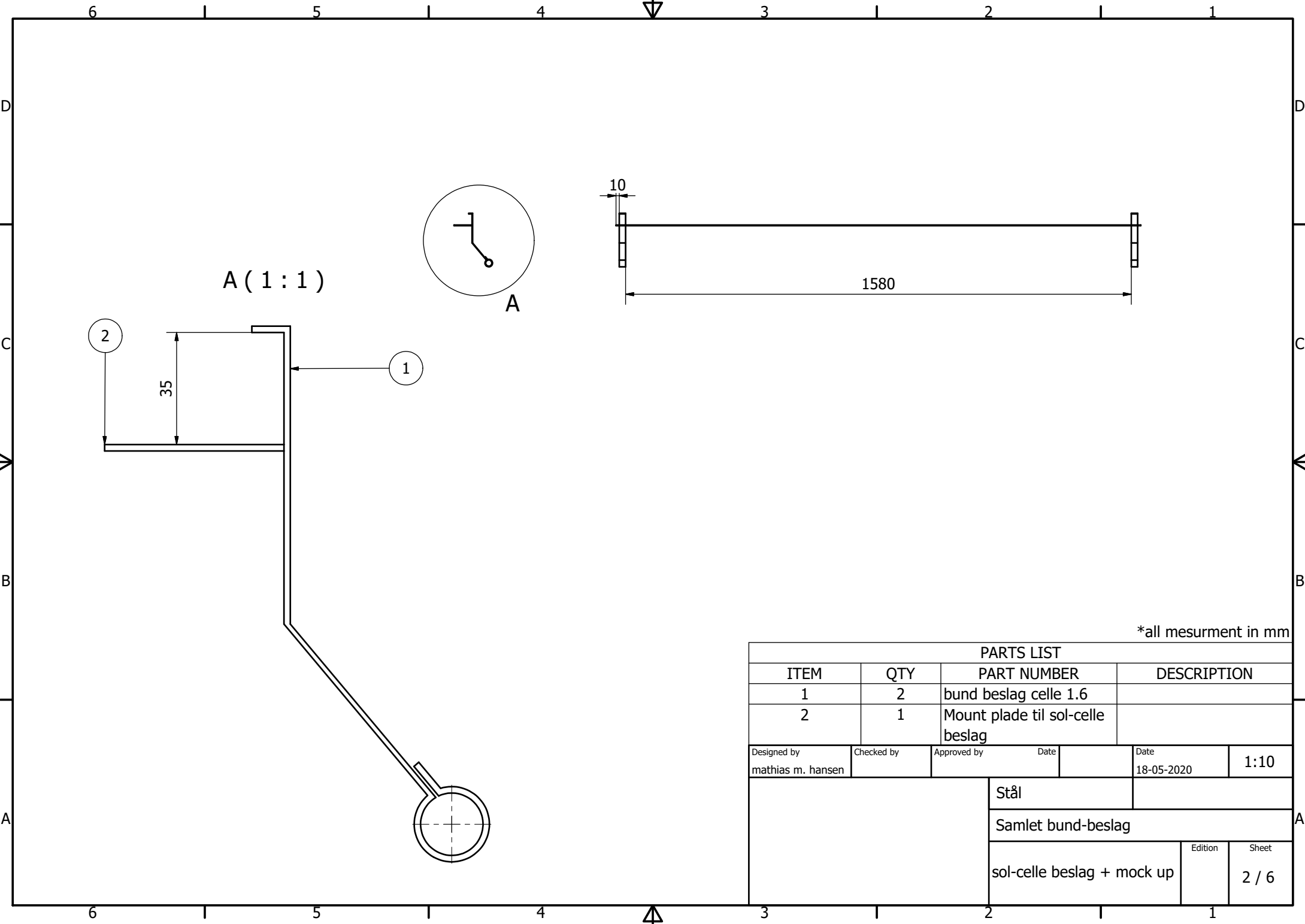
B (1 : 1)

B

*all mesurment in mm

PARTS LIST			
ITEM	QTY	PART NUMBER	DESCRIPTION
1	2	top beslag mount	
2	1	Mount plade til sol-celle beslag	

Designed by mathias m. hansen	Checked by	Approved by	Date	Date 18-05-2020	1:10
			Stål		
			Samlet top-beslag		
			sol-celle beslag + mock up	Edition	Sheet 3 / 6



A (1 : 1)

A

1580

35

*all mesurment in mm

PARTS LIST			
ITEM	QTY	PART NUMBER	DESCRIPTION
1	2	bund beslag celle 1.6	
2	1	Mount plade til sol-celle beslag	

Designed by mathias m. hansen	Checked by	Approved by	Date	Date 18-05-2020	1:10
			Stål		
			Samlet bund-beslag		
			sol-celle beslag + mock up	Edition	Sheet 2 / 6

A