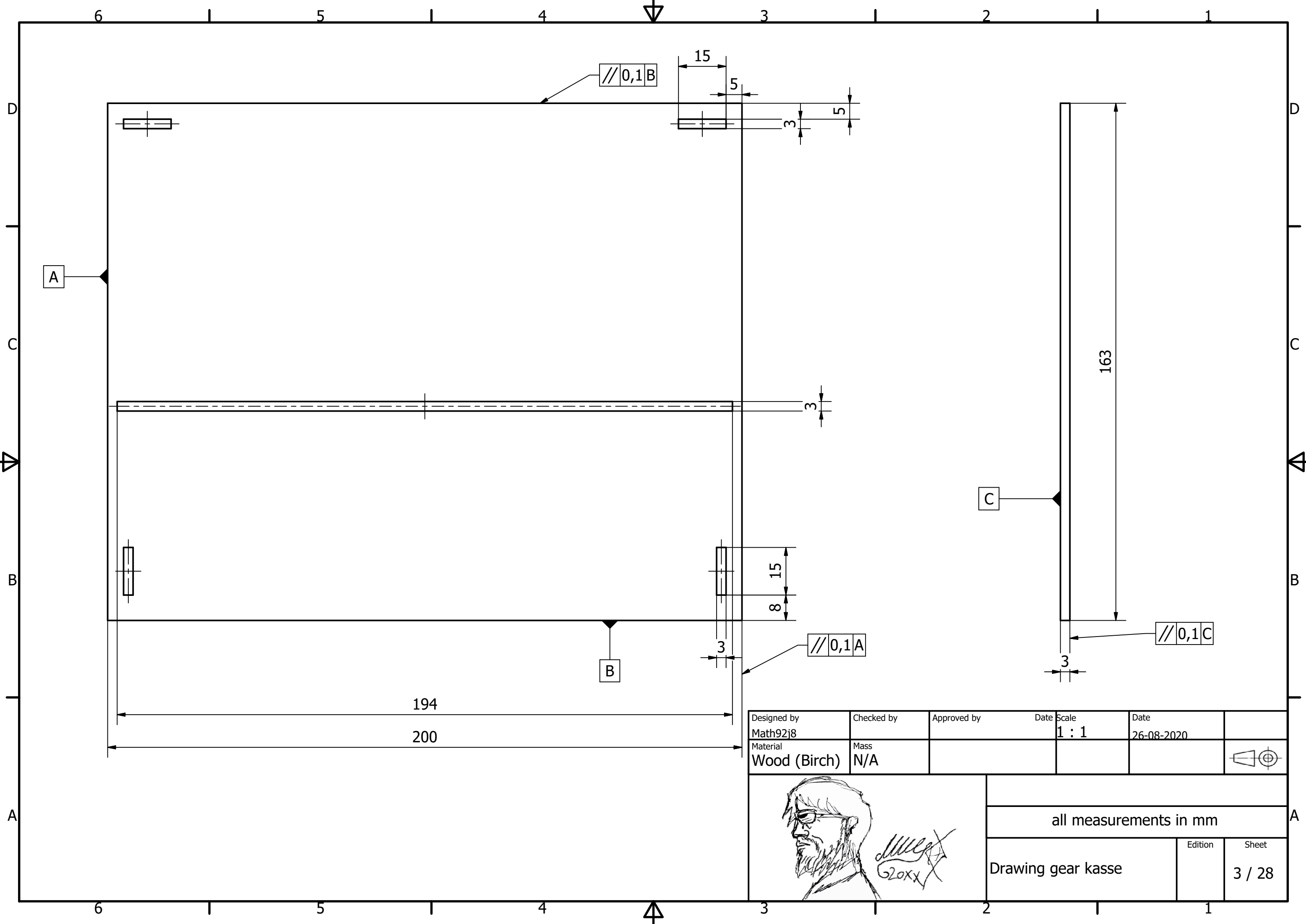


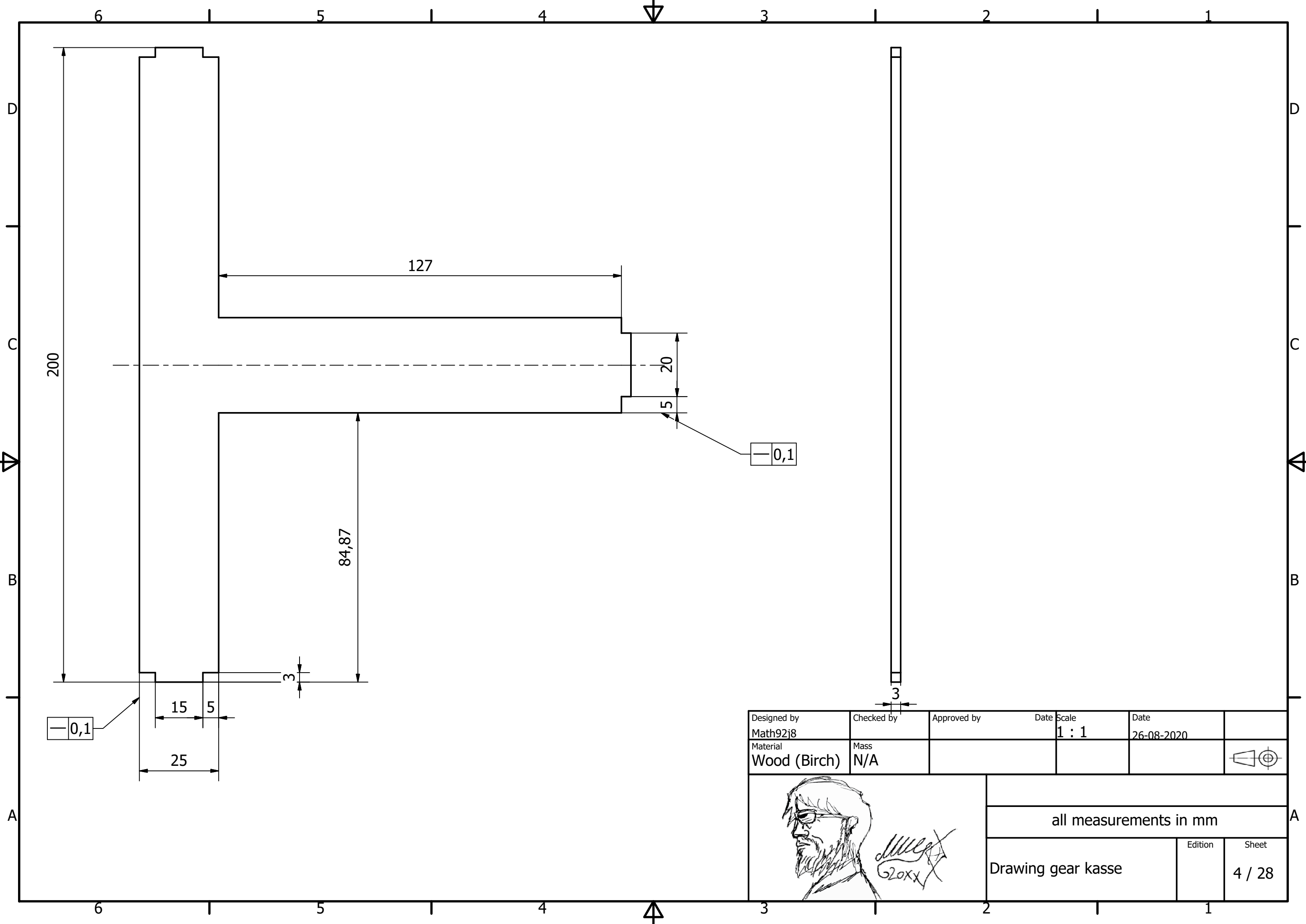
Designed by Math92j8	Checked by	Approved by	Date 26-08-2020	Scale 1 : 1	Date	
Material Wood (Birch)	Mass N/A					
		all measurements in mm				
		Drawing gear kasse		Edition	Sheet	
					2 / 28	



Designed by Math92j8	Checked by	Approved by	Date 26-08-2020	Scale 1 : 1	Date
Material Wood (Birch)	Mass N/A				



all measurements in mm		
Drawing gear kasse	Edition	Sheet 3 / 28



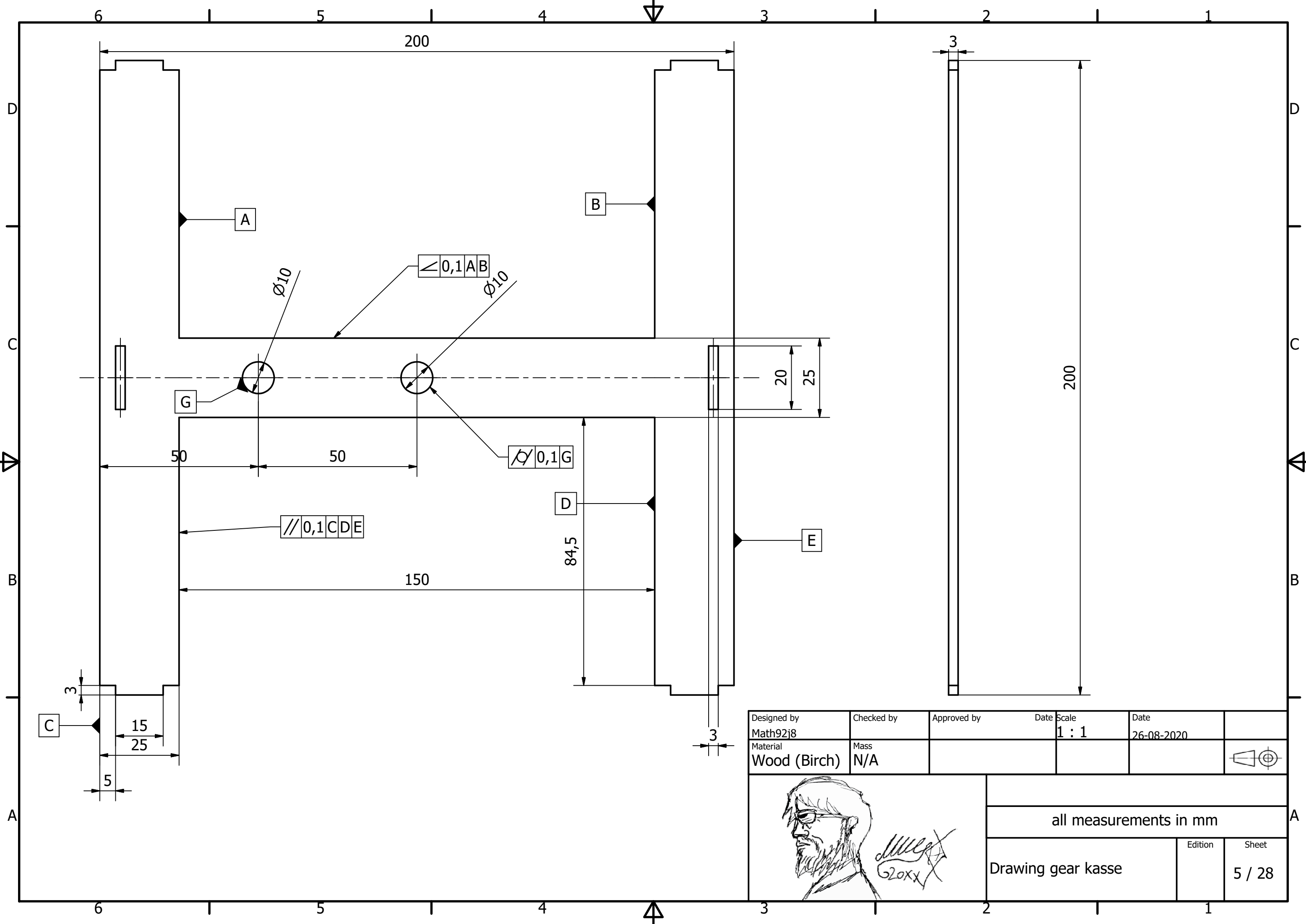
0,1

0,1

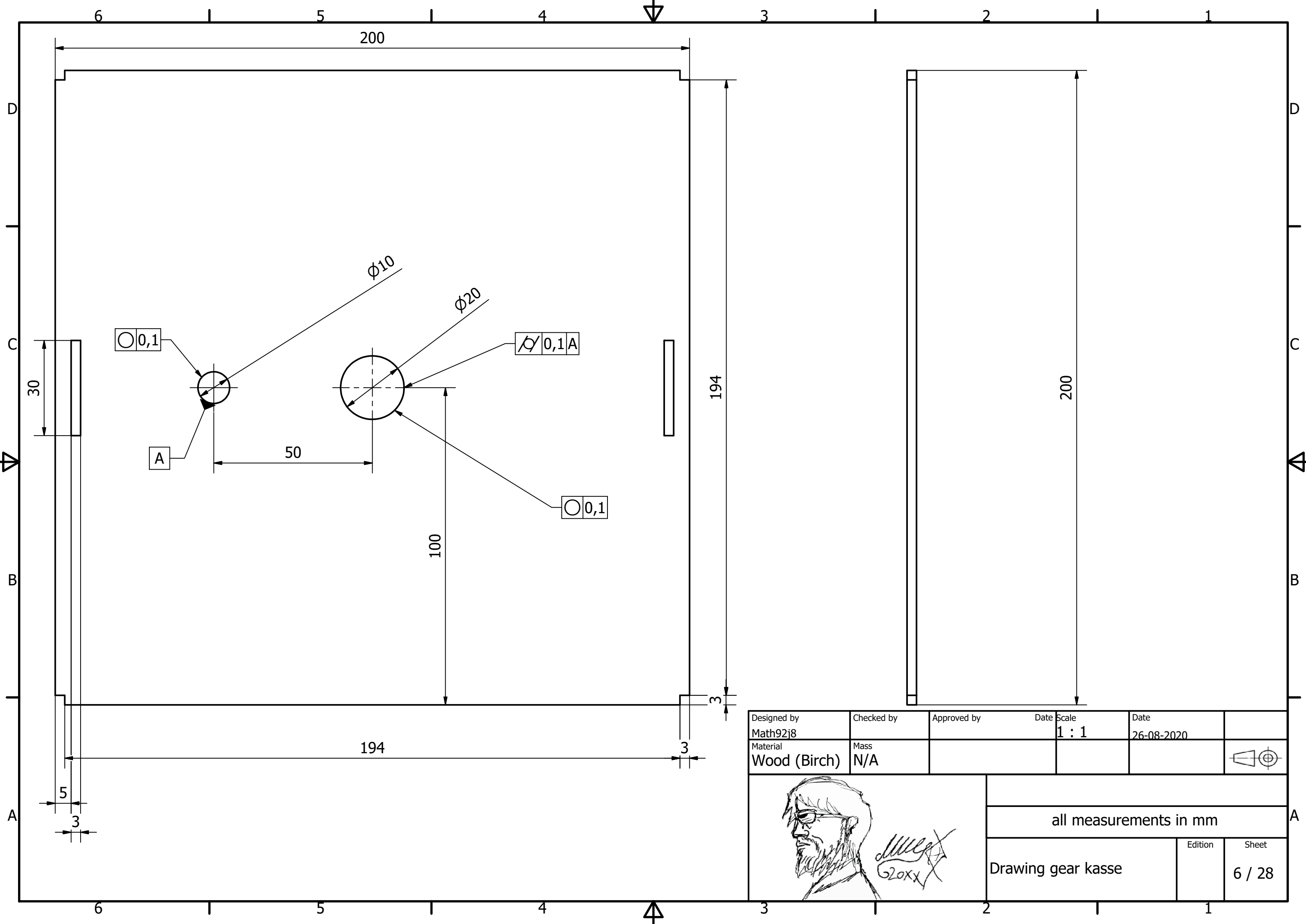
Designed by Math92j8	Checked by	Approved by	Date 26-08-2020	Scale 1 : 1	Date 26-08-2020
Material Wood (Birch)	Mass N/A				

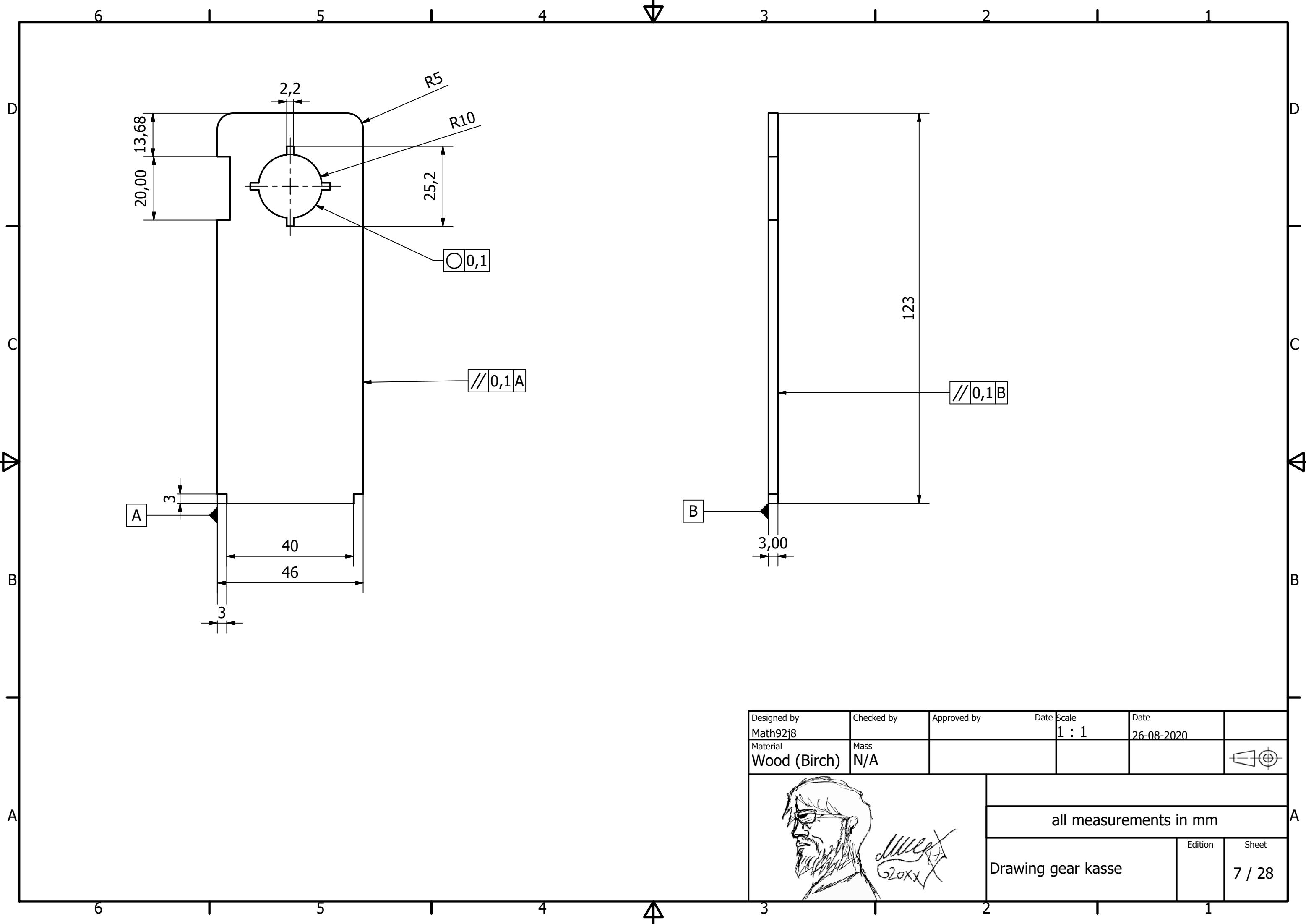


all measurements in mm	
Drawing gear kasse	Sheet 4 / 28

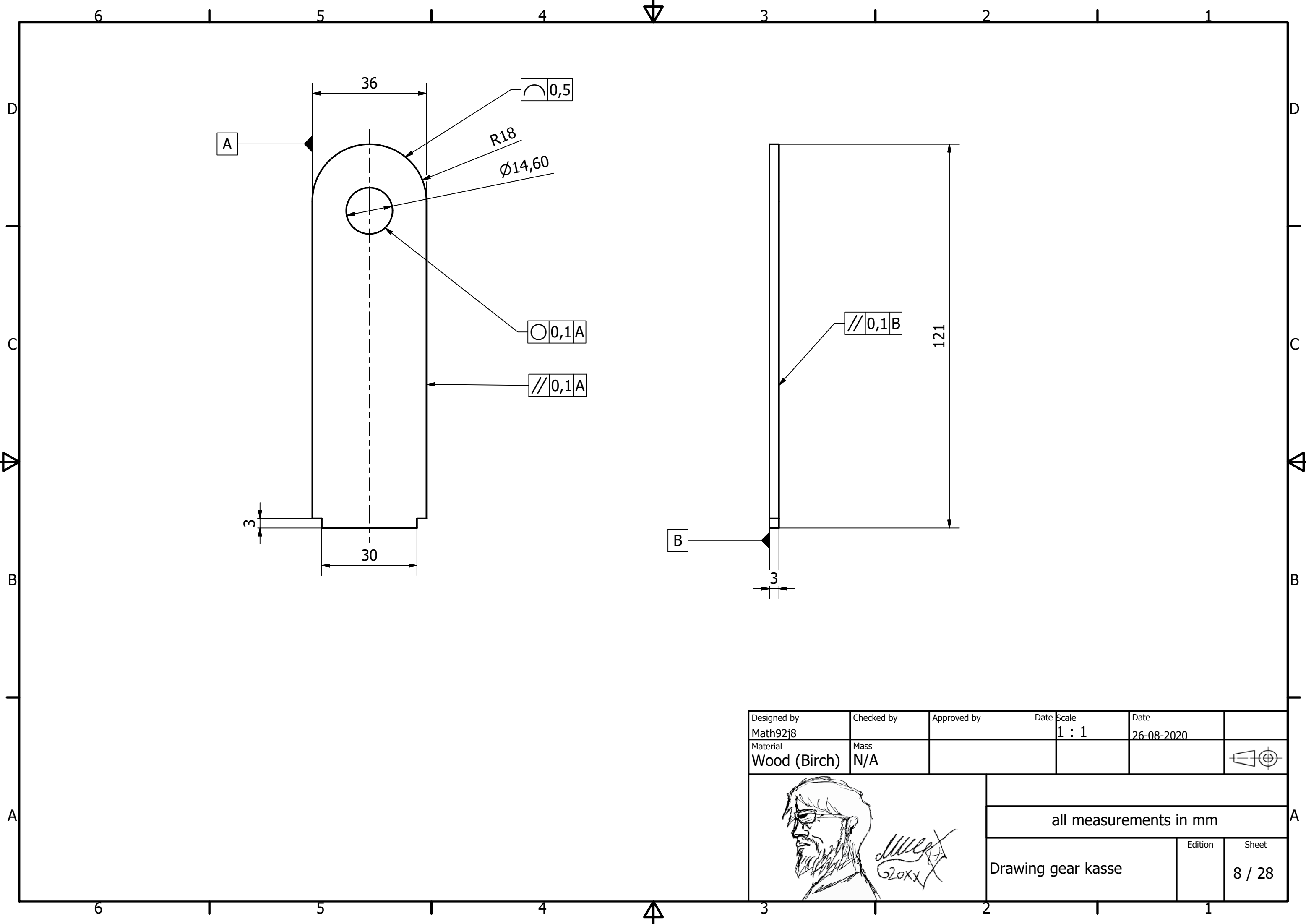


Designed by Math92j8	Checked by	Approved by	Date 26-08-2020	Scale 1 : 1	Date 26-08-2020	
Material Wood (Birch)	Mass N/A					
		all measurements in mm				
		Drawing gear kasse		Edition	Sheet	
					5 / 28	

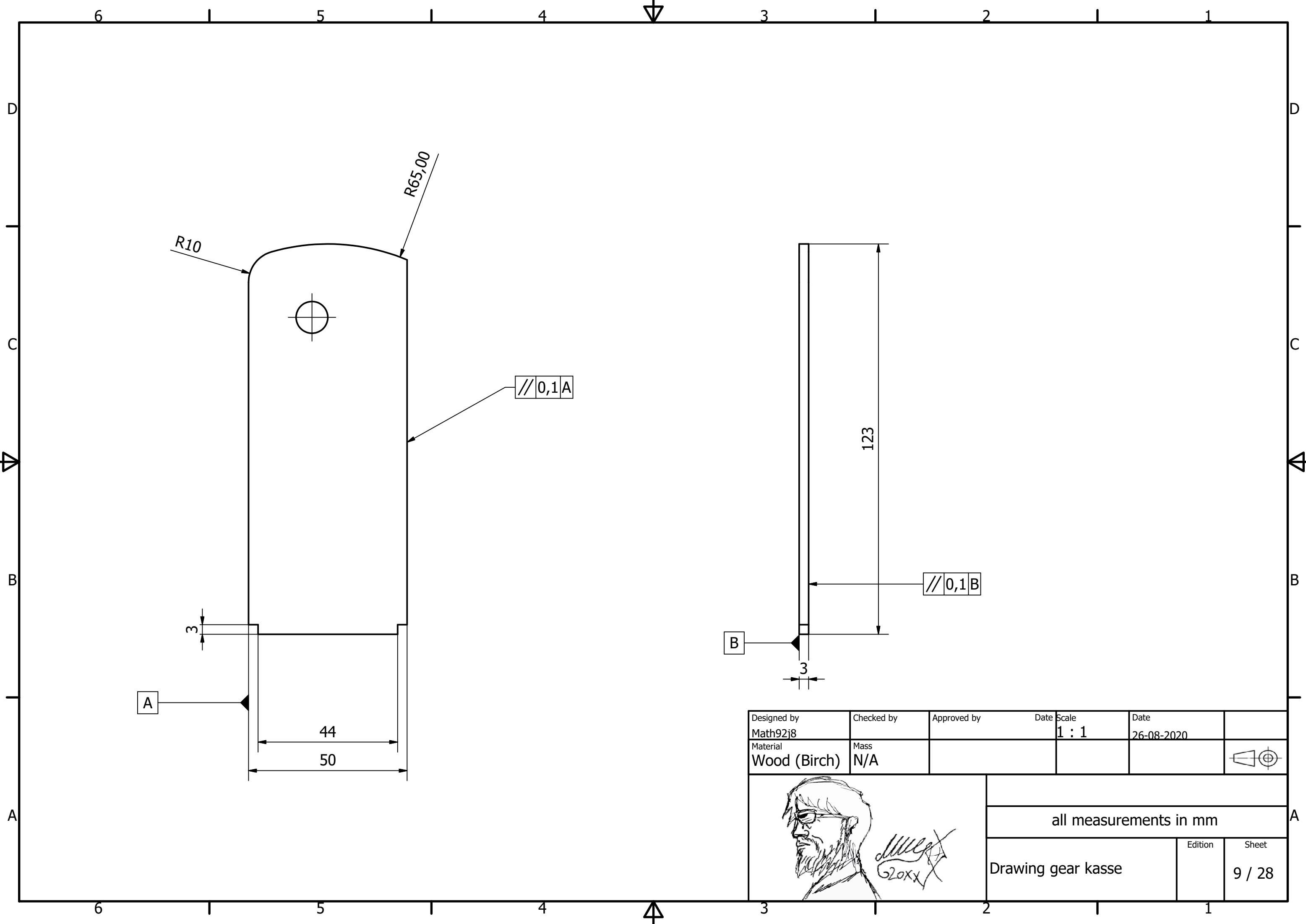




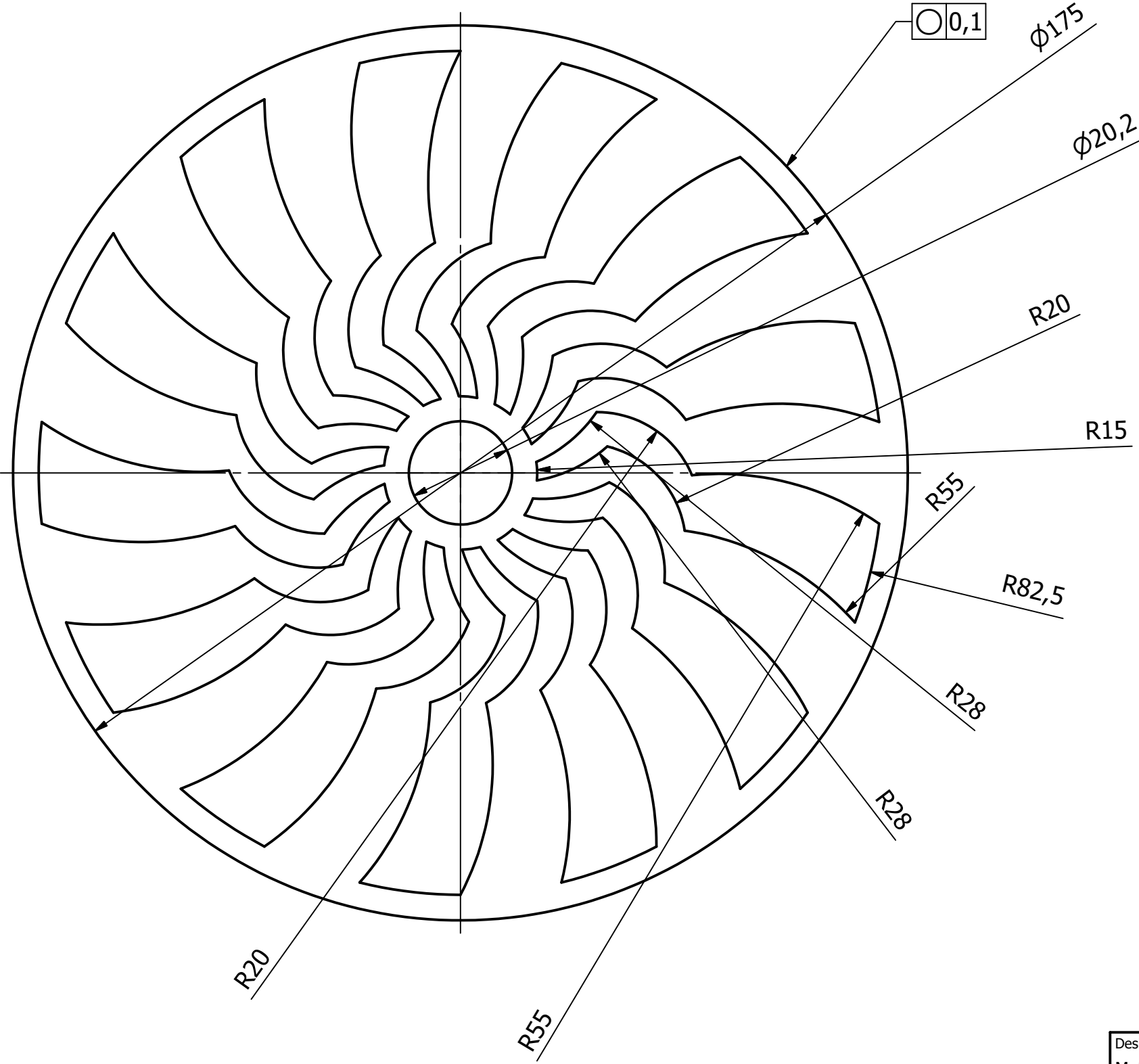
Designed by Math92j8	Checked by	Approved by	Date 26-08-2020	Scale 1 : 1	Date
Material Wood (Birch)	Mass N/A				
		all measurements in mm			
		Drawing gear kasse		Edition	Sheet
					7 / 28



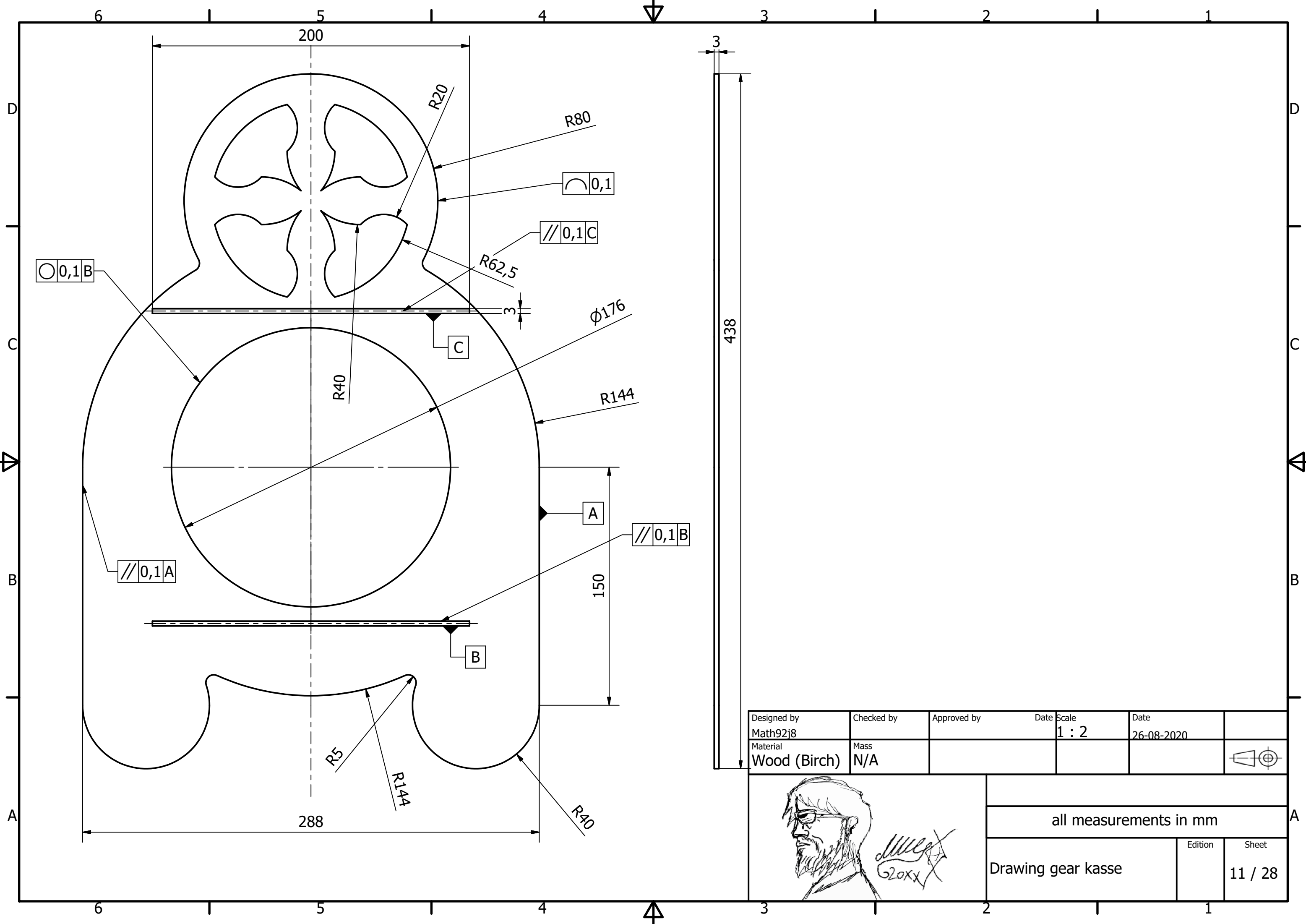
Designed by Math92j8	Checked by	Approved by	Date 26-08-2020	Scale 1 : 1	
Material Wood (Birch)	Mass N/A				
		all measurements in mm			
		Drawing gear kasse		Edition	Sheet 8 / 28



Designed by Math92j8	Checked by	Approved by	Date 26-08-2020	Scale 1 : 1	Date	
Material Wood (Birch)	Mass N/A					
			all measurements in mm			
			Drawing gear kasse		Edition	Sheet
					9 / 28	



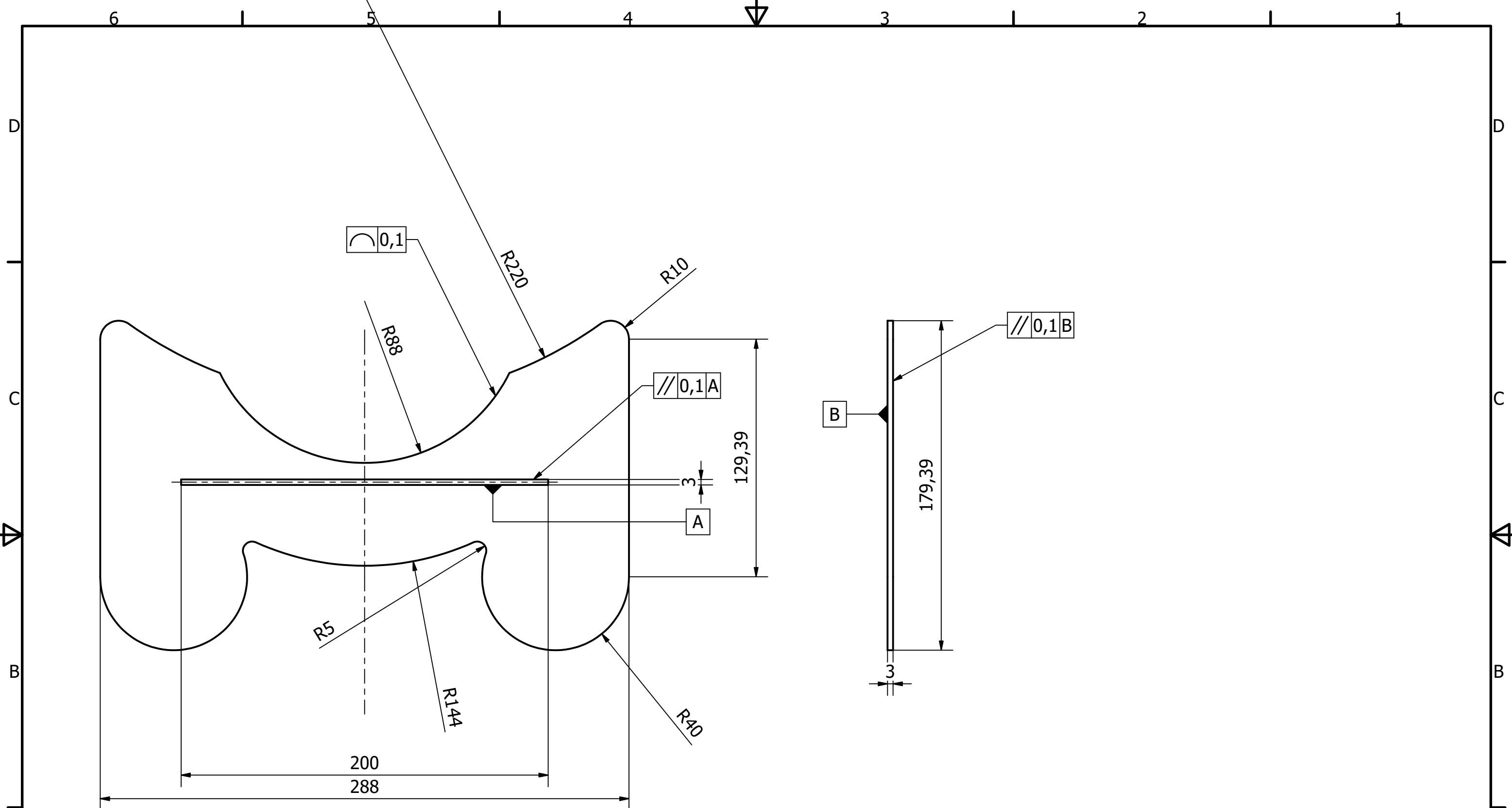
Designed by Math92j8	Checked by	Approved by	Date 26-08-2020	Scale 1 : 1	Date	
Material Generic	Mass N/A					
			all measurements in mm			
			Drawing gear kasse		Edition	Sheet
						10 / 28



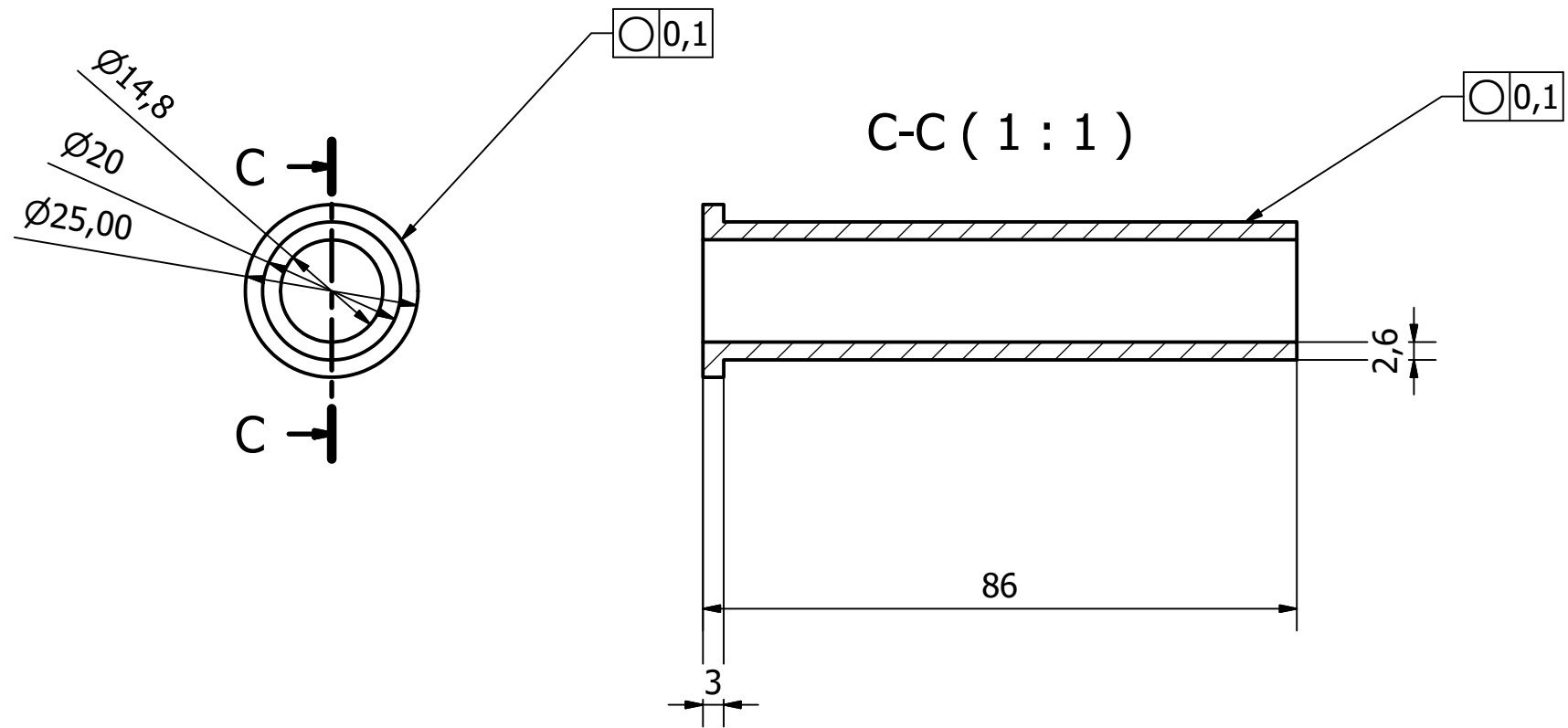
Designed by Math92j8	Checked by	Approved by	Date 26-08-2020	Scale 1 : 2	Date
Material Wood (Birch)	Mass N/A				



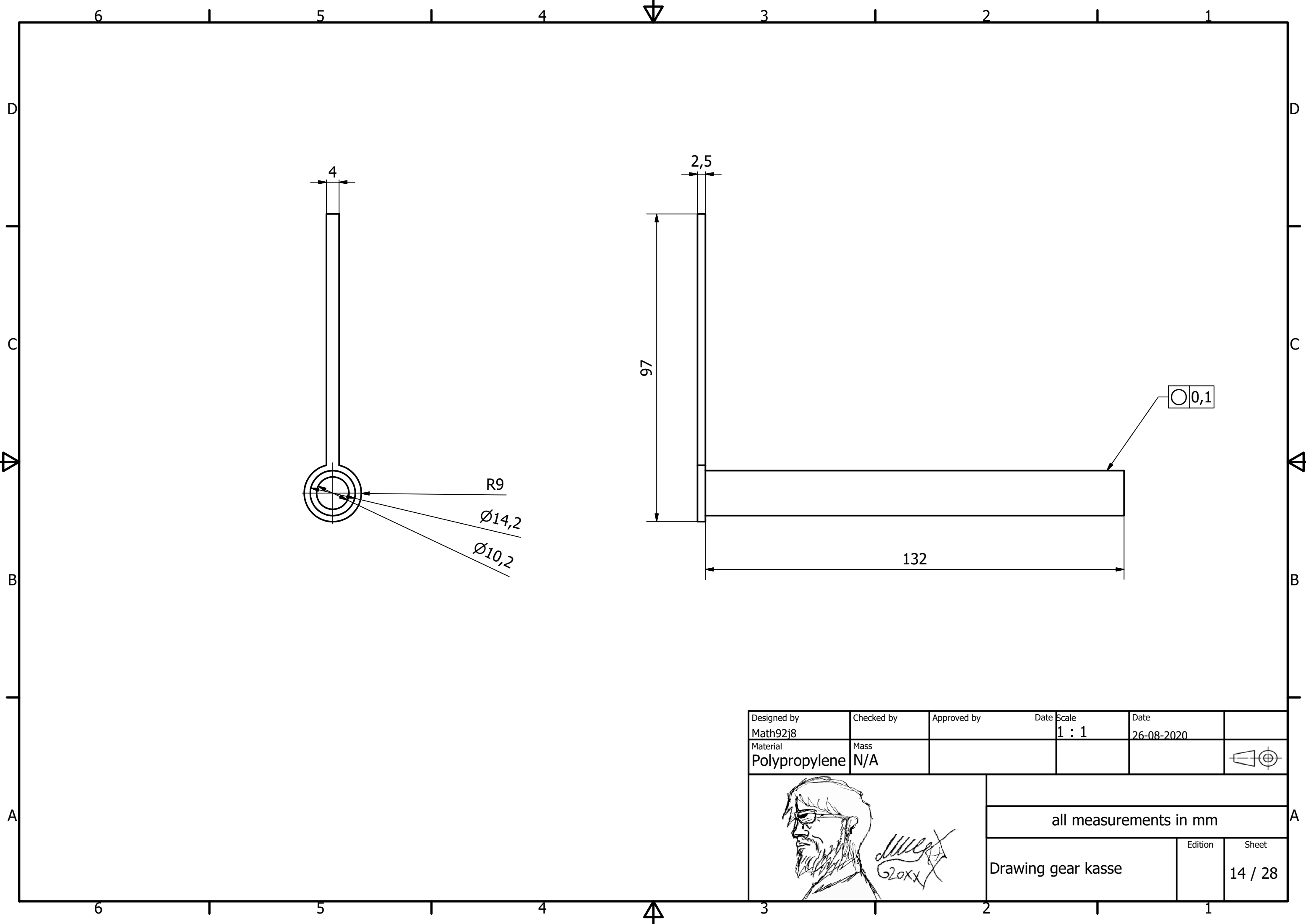
all measurements in mm	
Drawing gear kasse	Sheet 11 / 28



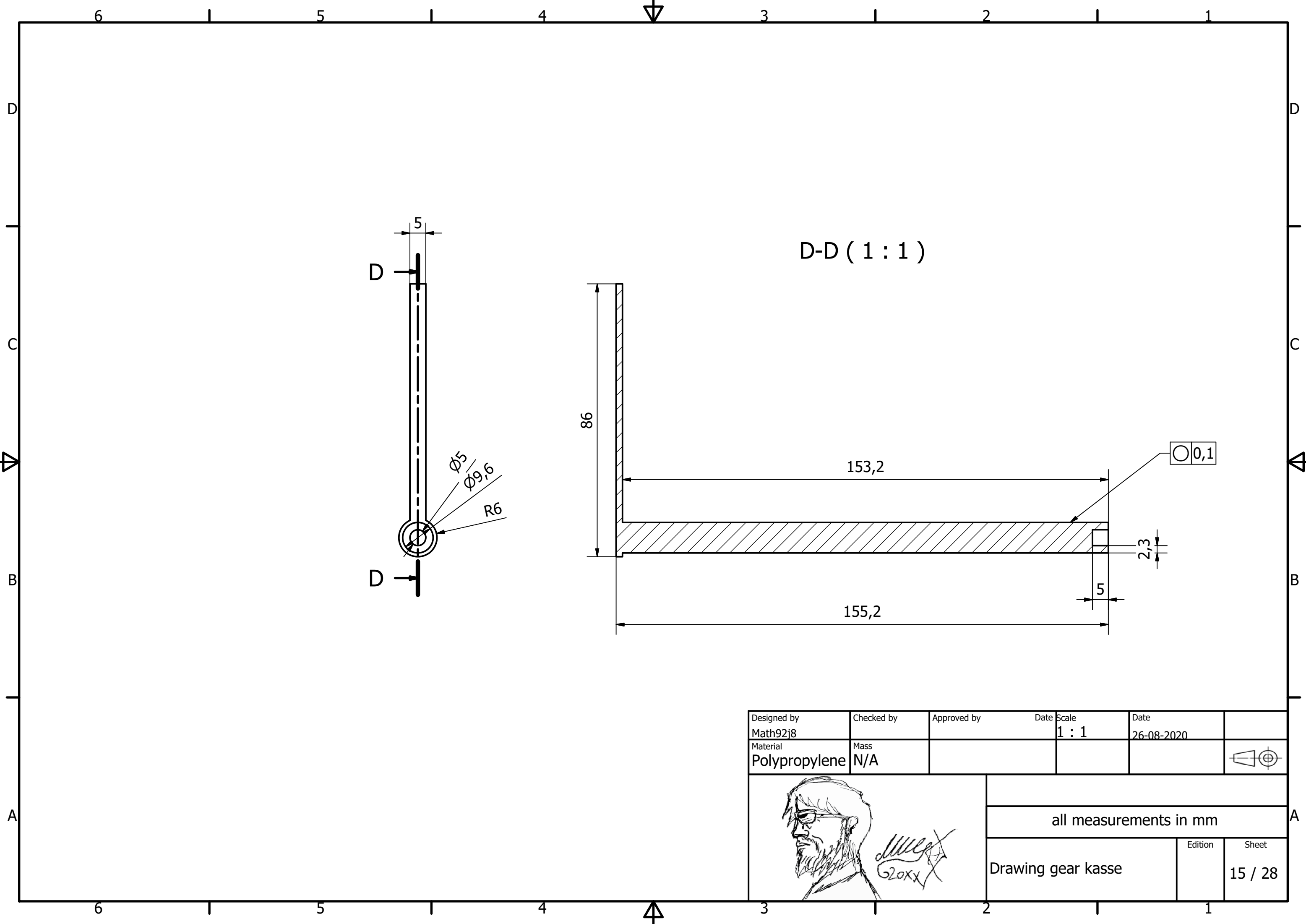
Designed by Math92j8	Checked by	Approved by	Date 26-08-2020	Scale 1 : 2	
Material Wood (Birch)	Mass N/A				
		all measurements in mm			
		Drawing gear kasse		Edition	Sheet 12 / 28



Designed by Math92j8	Checked by	Approved by	Date 26-08-2020	Scale 1 : 1	Date	
Material Polypropylene	Mass N/A					
		all measurements in mm				
		Drawing gear kasse		Edition	Sheet	
				13 / 28		

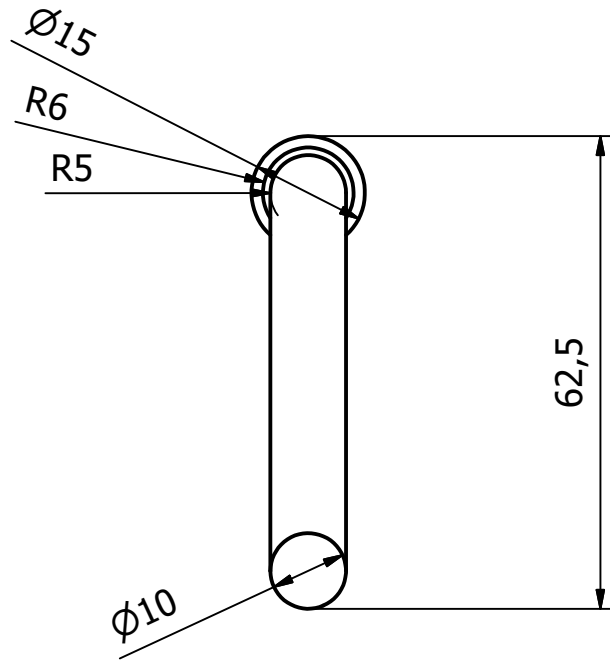
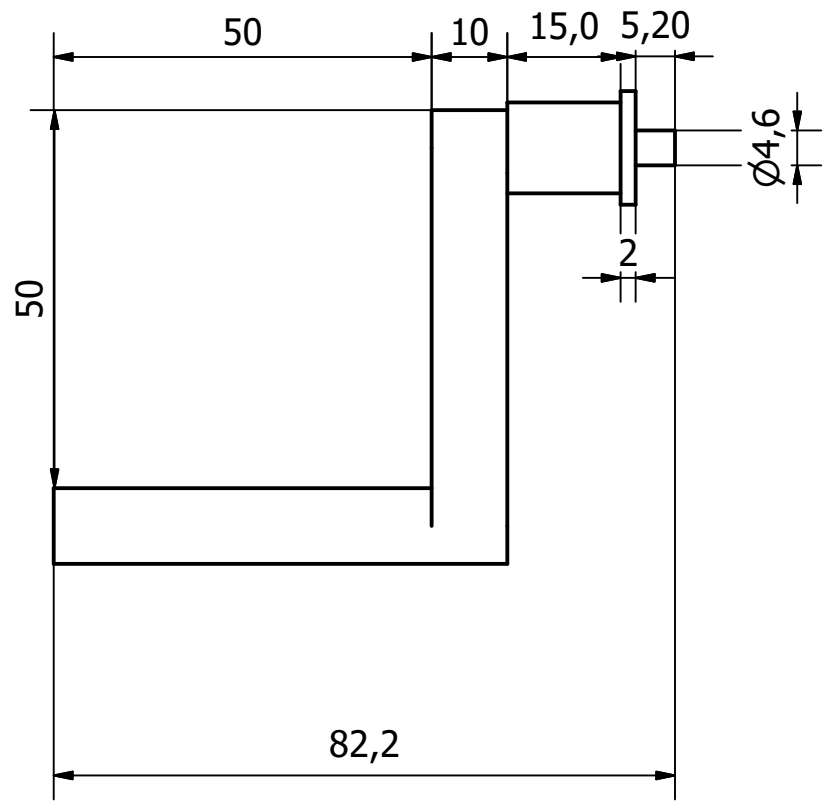


Designed by Math92j8	Checked by	Approved by	Date 26-08-2020	Scale 1 : 1	Date	
Material Polypropylene	Mass N/A					
		all measurements in mm				
		Drawing gear kasse		Edition	Sheet	
					14 / 28	

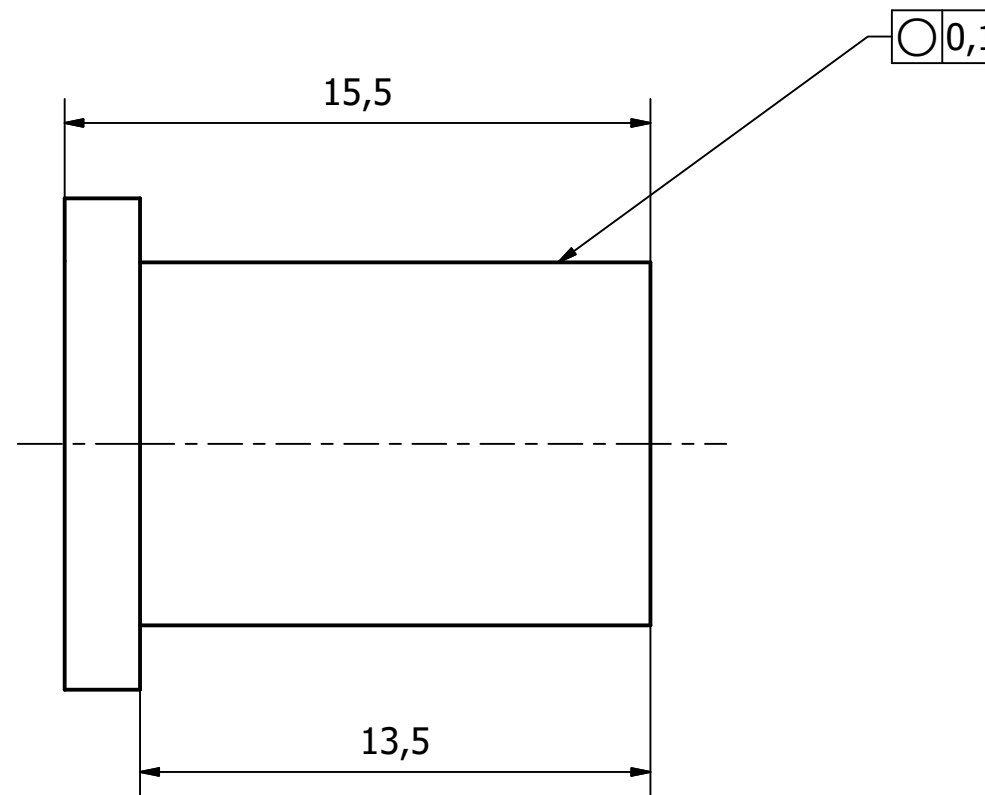
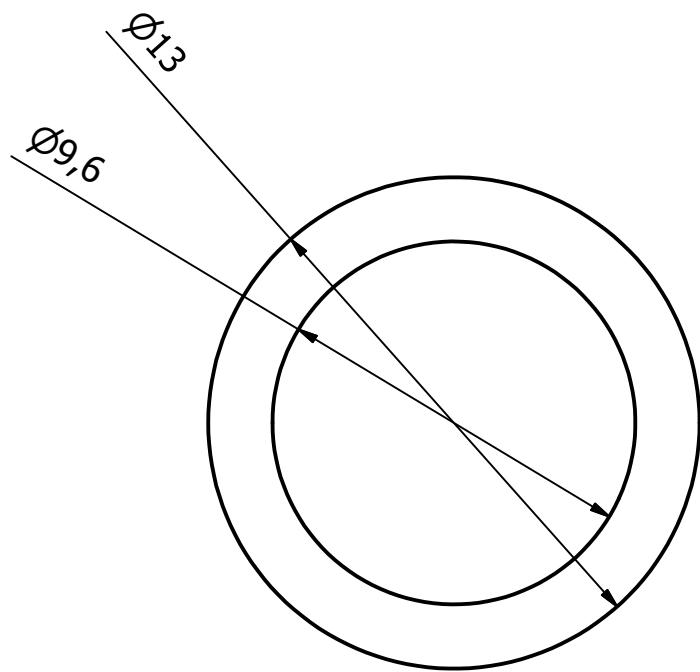


D-D (1 : 1)

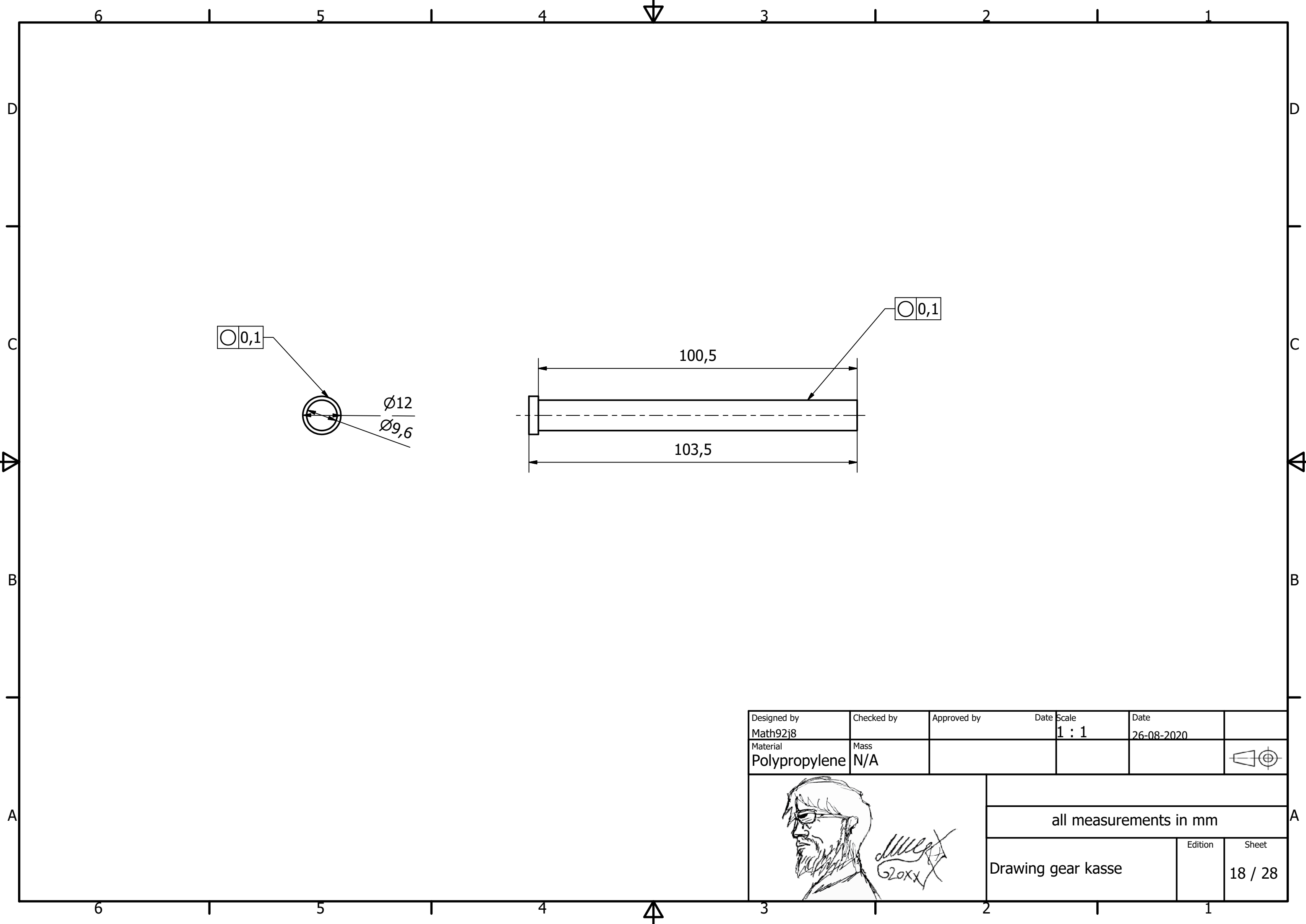
Designed by Math92j8	Checked by	Approved by	Date 26-08-2020	Scale 1 : 1	Date	
Material Polypropylene	Mass N/A					
			all measurements in mm			
			Drawing gear kasse		Edition	Sheet 15 / 28



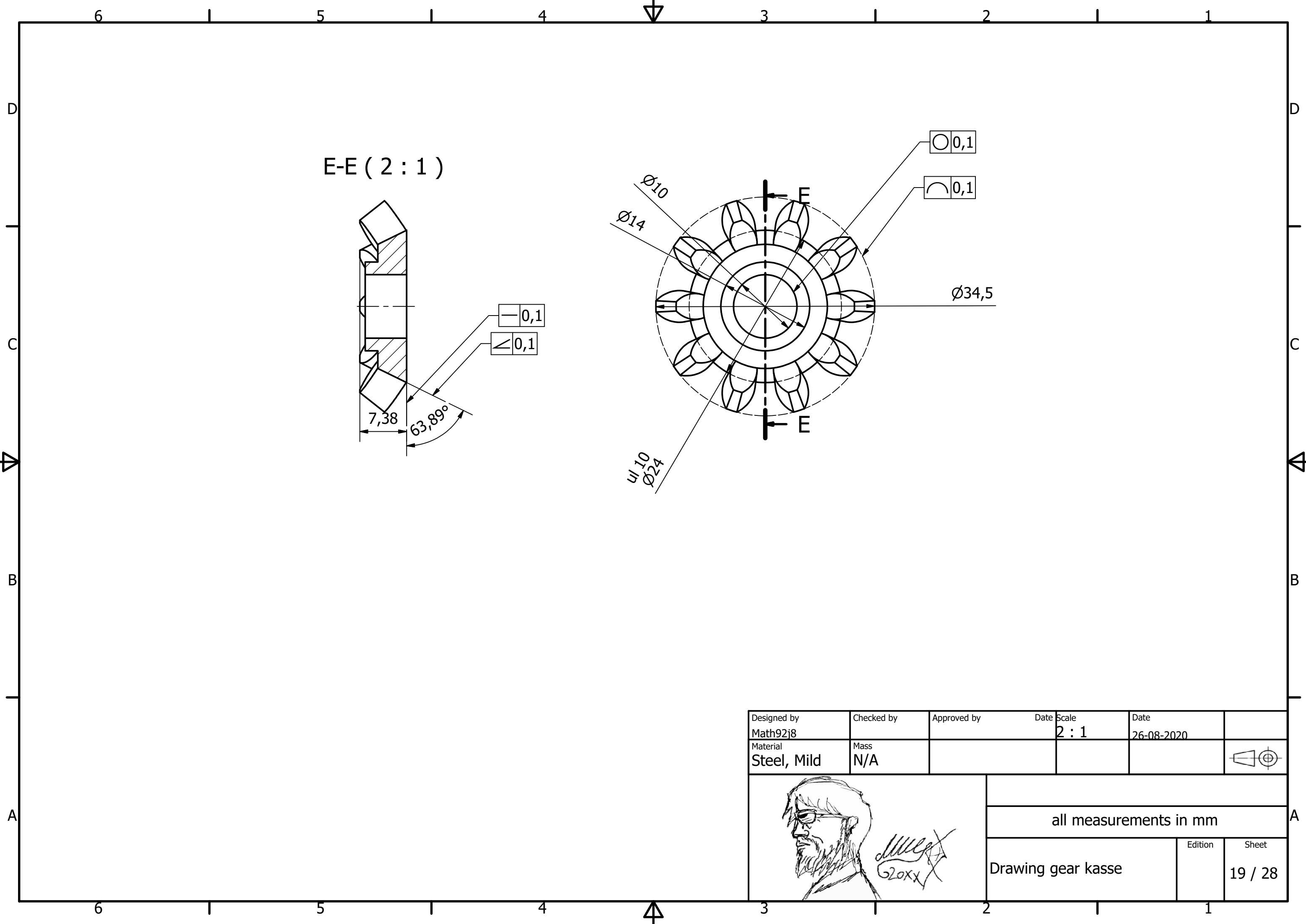
Designed by Math92j8	Checked by	Approved by	Date 26-08-2020	Scale 1 : 1	Date	
Material Polypropylene	Mass N/A					
		all measurements in mm				
		Drawing gear kasse		Edition	Sheet	
					16 / 28	



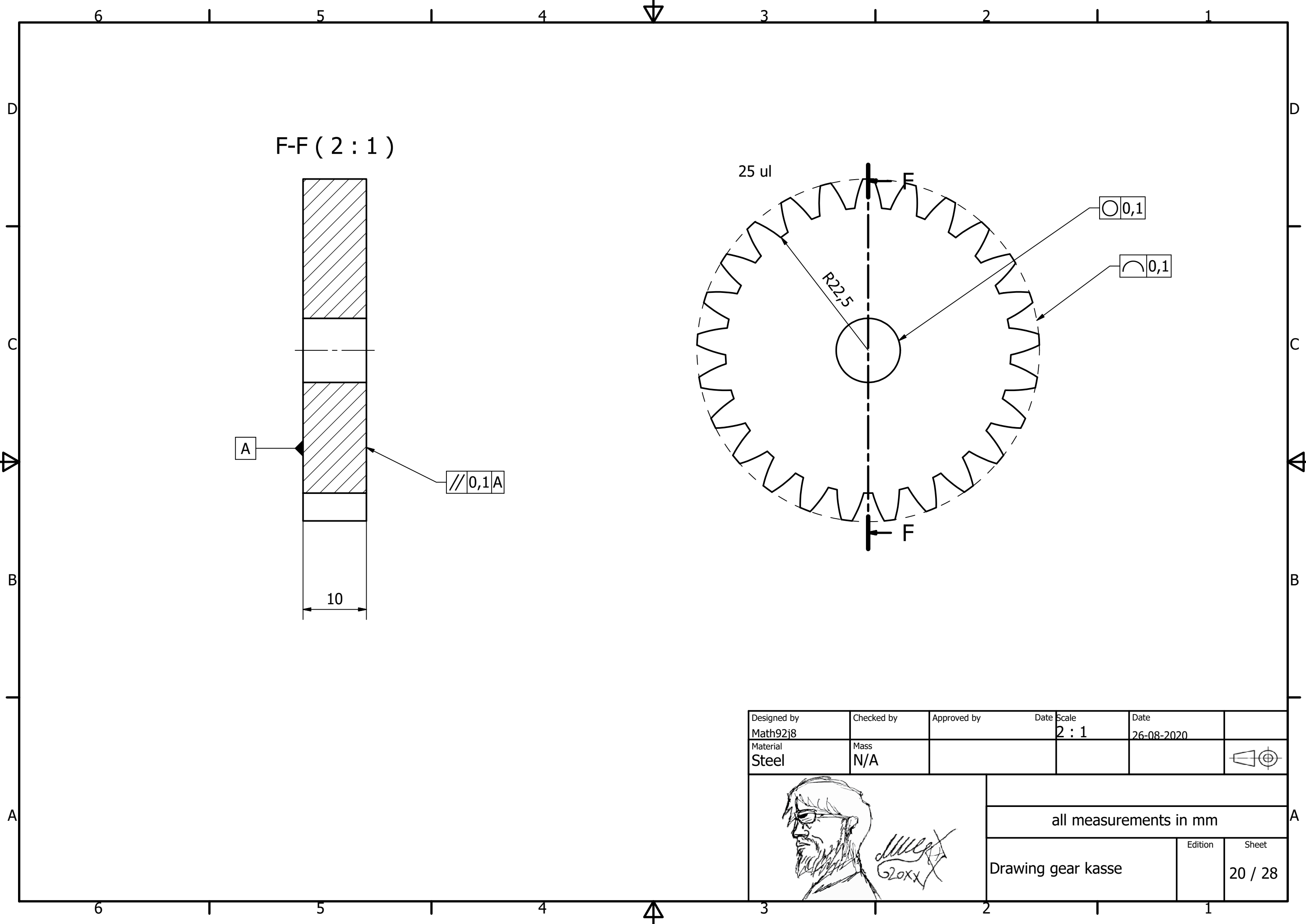
Designed by Math92j8	Checked by	Approved by	Date 26-08-2020	Scale 5 : 1	Date	
Material Polypropylene	Mass N/A					
			all measurements in mm			
			Drawing gear kasse		Edition	Sheet
					17 / 28	



Designed by Math92j8	Checked by	Approved by	Date 26-08-2020	Scale 1 : 1	
Material Polypropylene	Mass N/A				
		all measurements in mm			
		Drawing gear kasse		Edition	Sheet 18 / 28

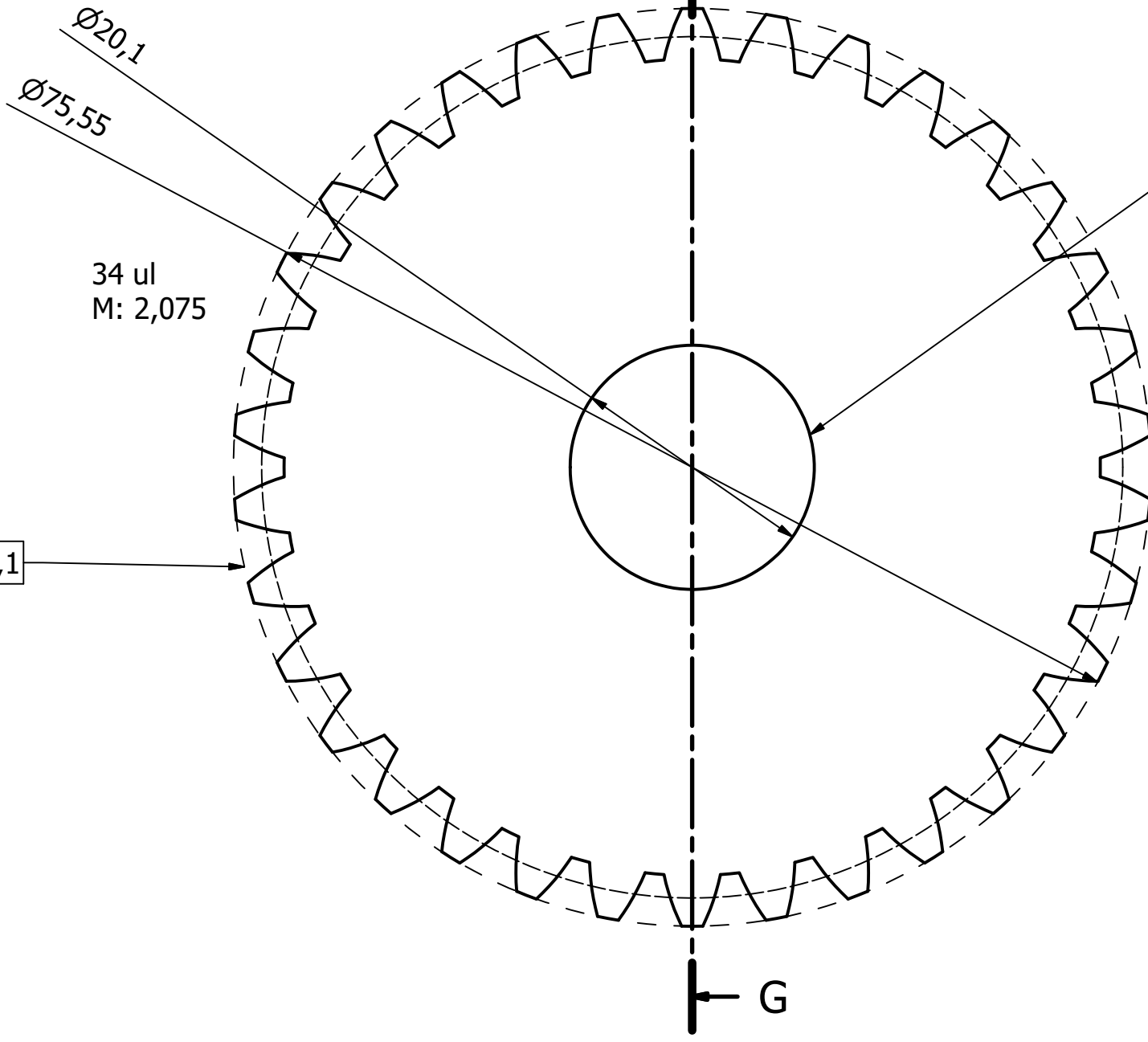
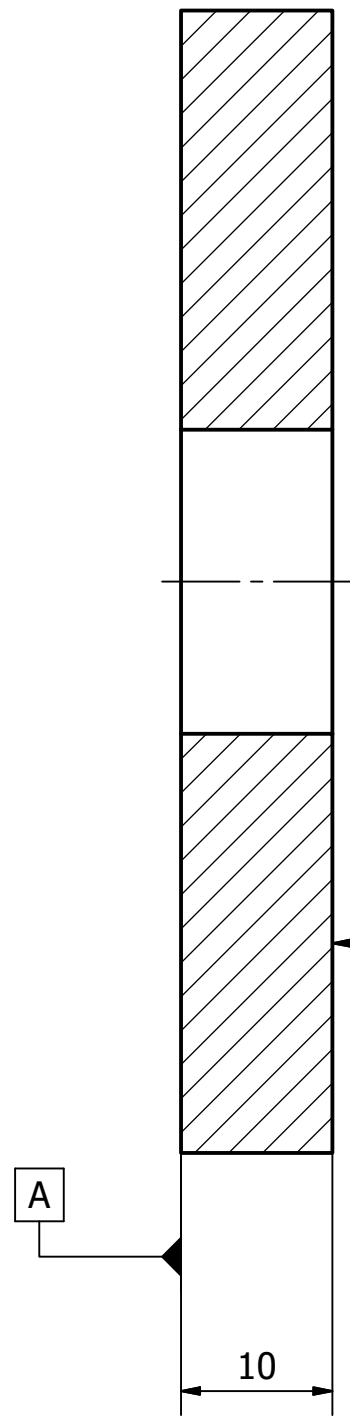


Designed by Math92j8	Checked by	Approved by	Date 26-08-2020	Scale 2 : 1	Date	
Material Steel, Mild	Mass N/A					
		all measurements in mm				
		Drawing gear kasse		Edition	Sheet	
					19 / 28	



Designed by Math92j8	Checked by	Approved by	Date 26-08-2020	Scale 2 : 1	Date 26-08-2020	
Material Steel	Mass N/A					
		all measurements in mm				A
		Drawing gear kasse		Edition	Sheet 20 / 28	

G-G (2 : 1)



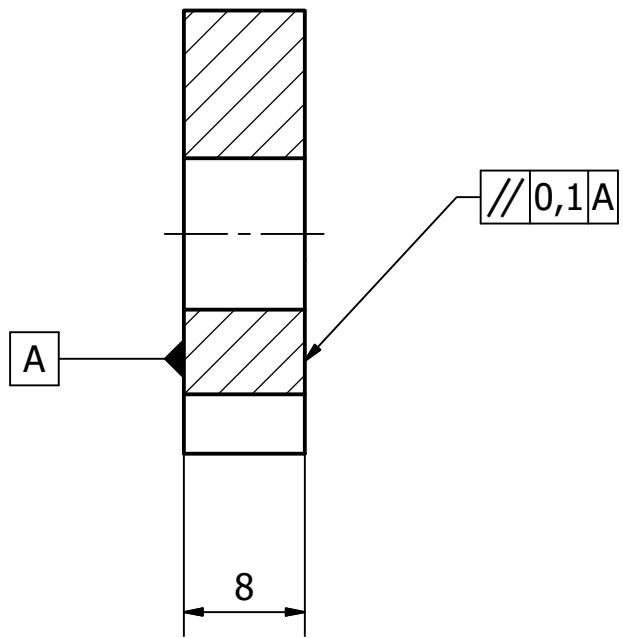
0,1

// 0,1 A

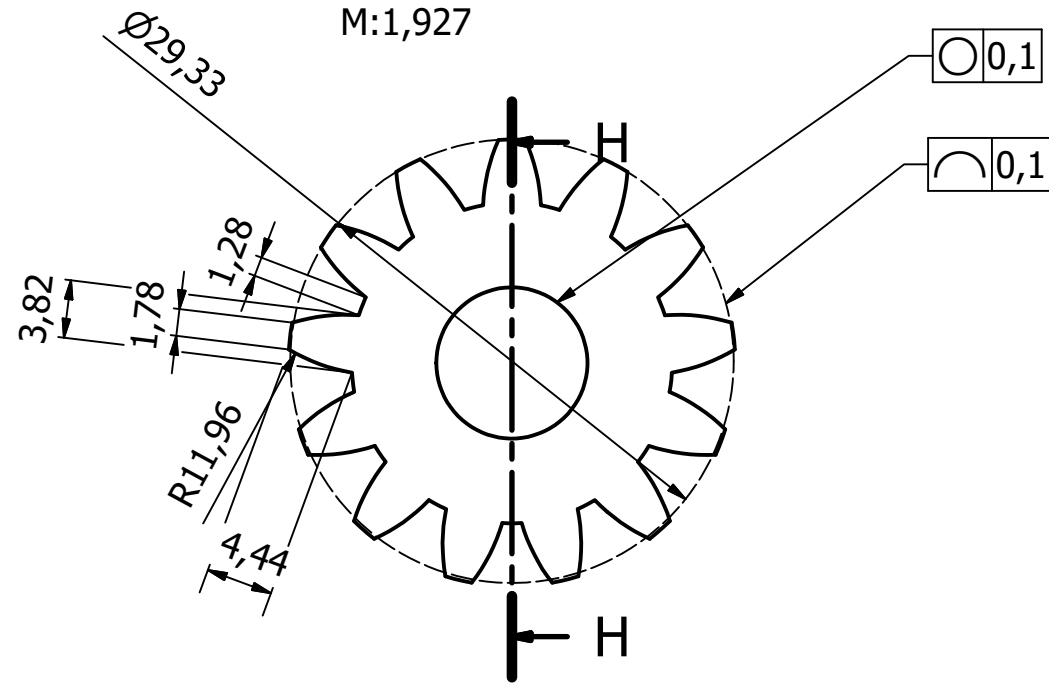
0,1

Designed by Math92j8	Checked by	Approved by	Date 26-08-2020	Scale 2 : 1		
Material Steel	Mass N/A					
			all measurements in mm			
			Drawing gear kasse		Edition	Sheet
					21 / 28	

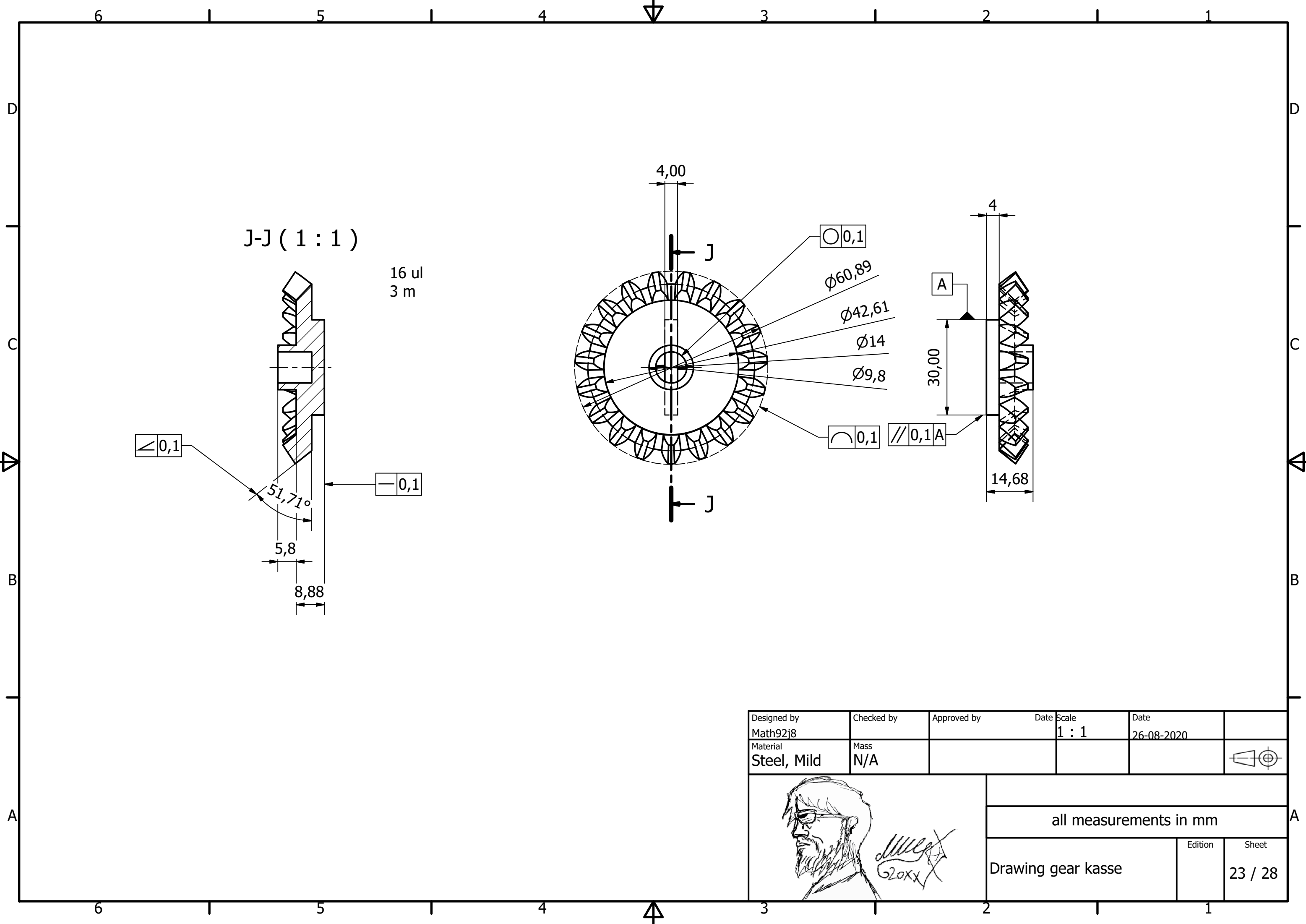
H-H (2 : 1)



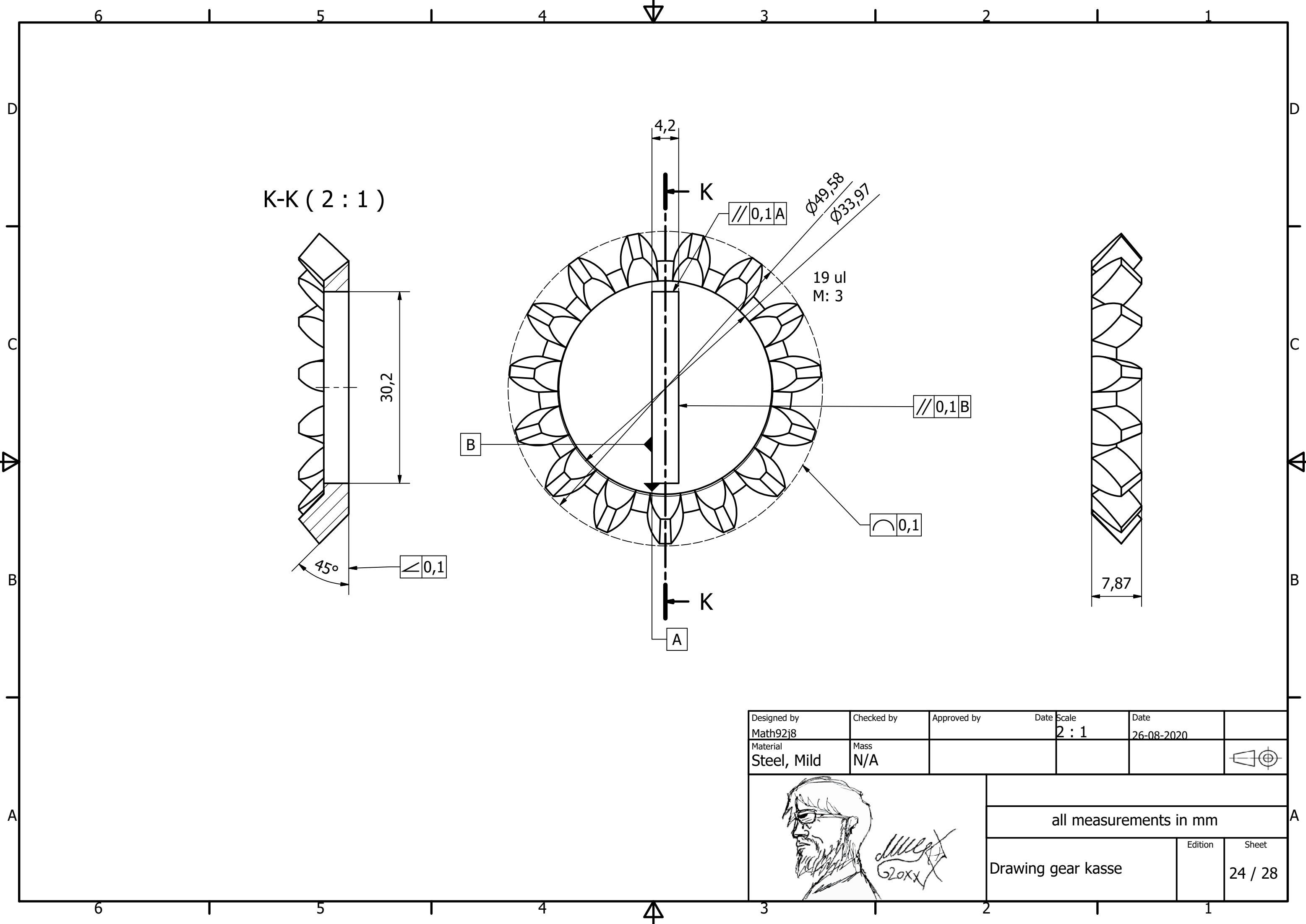
14 ul
M:1,927



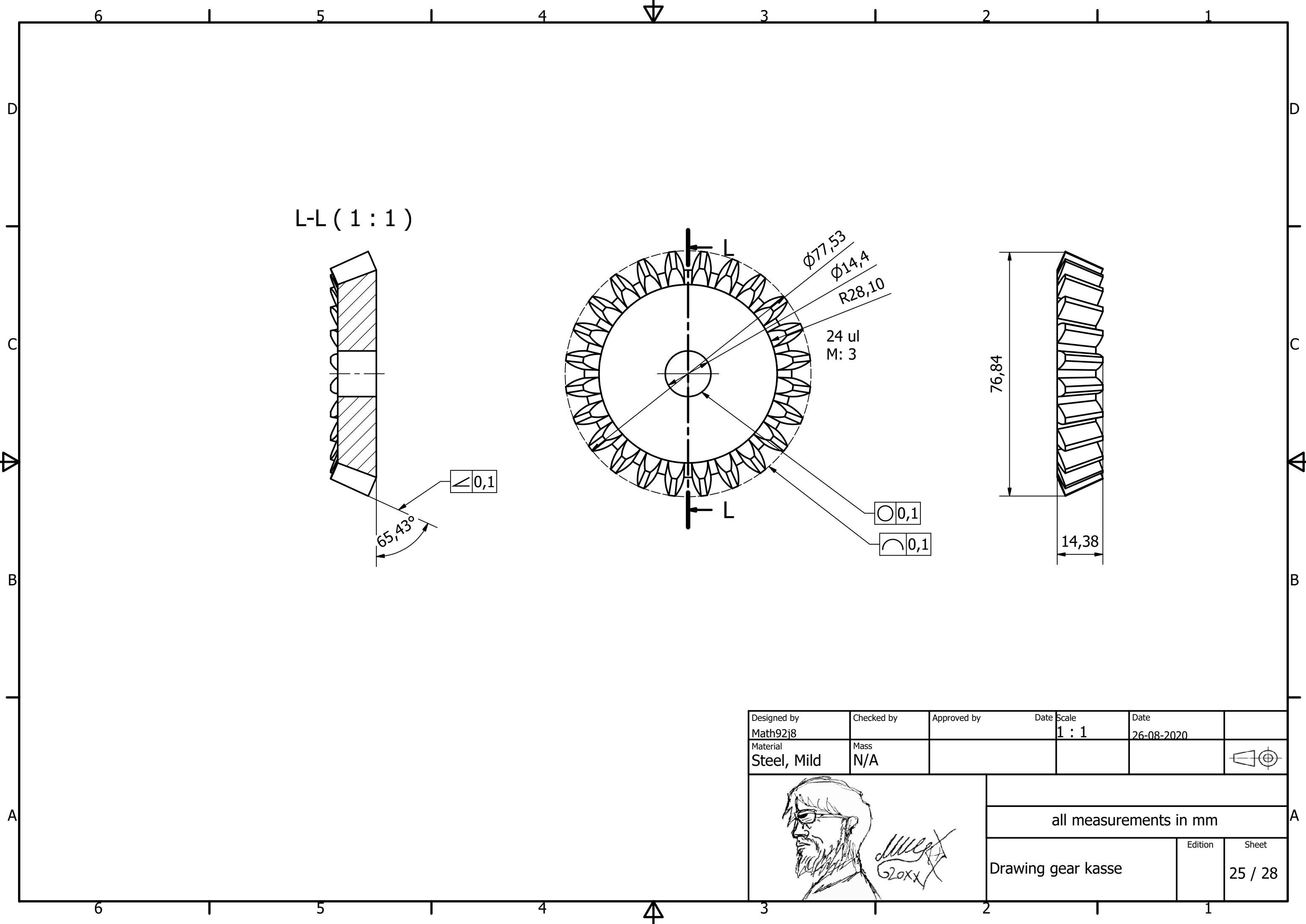
Designed by Math92j8	Checked by	Approved by	Date 26-08-2020	Scale 2 : 1	Date 26-08-2020	
Material Steel	Mass N/A					
		all measurements in mm				
		Drawing gear kasse		Edition	Sheet 22 / 28	



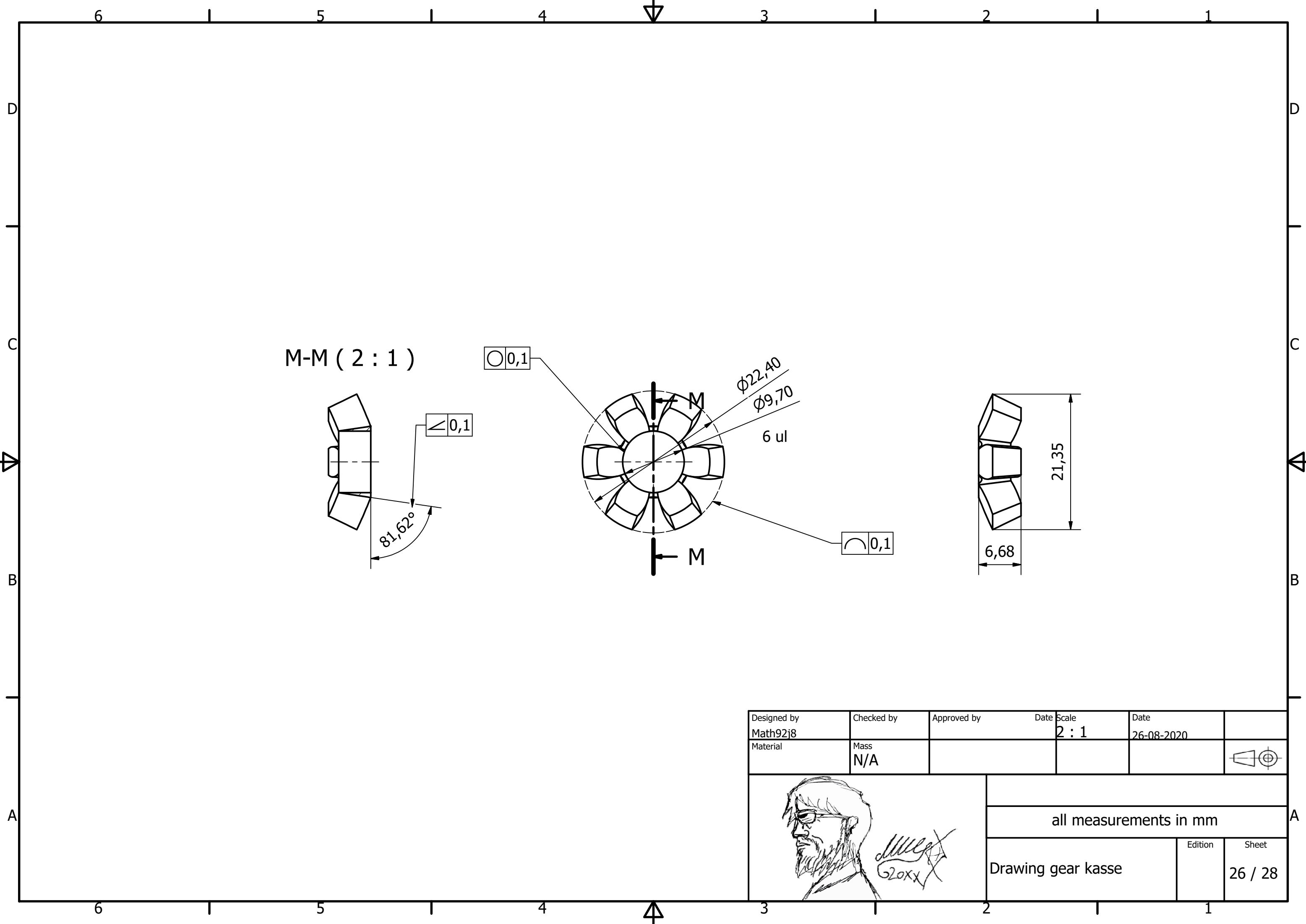
Designed by Math92j8	Checked by	Approved by	Date 26-08-2020	Scale 1 : 1	Date
Material Steel, Mild	Mass N/A				
		all measurements in mm			
		Drawing gear kasse		Edition	Sheet 23 / 28



Designed by Math92j8	Checked by	Approved by	Date 26-08-2020	Scale 2 : 1	Date 26-08-2020	
Material Steel, Mild	Mass N/A					
		all measurements in mm				
		Drawing gear kasse		Edition	Sheet	
					24 / 28	



Designed by Math92j8	Checked by	Approved by	Date 26-08-2020	Scale 1 : 1	Date	
Material Steel, Mild	Mass N/A					
		all measurements in mm				
		Drawing gear kasse		Edition	Sheet	
					25 / 28	



M-M (2 : 1)

○ 0,1

≤ 0,1

81,62°

ϕ22,40

ϕ9,70

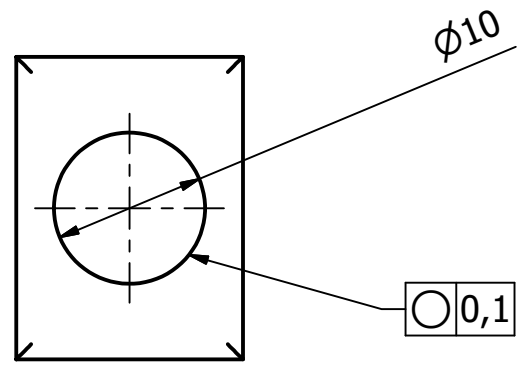
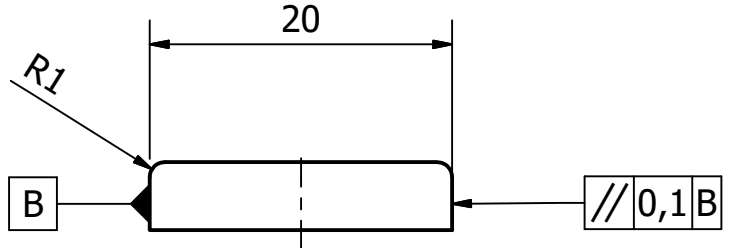
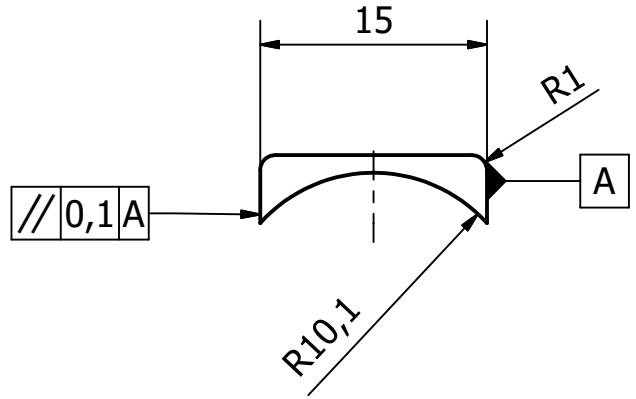
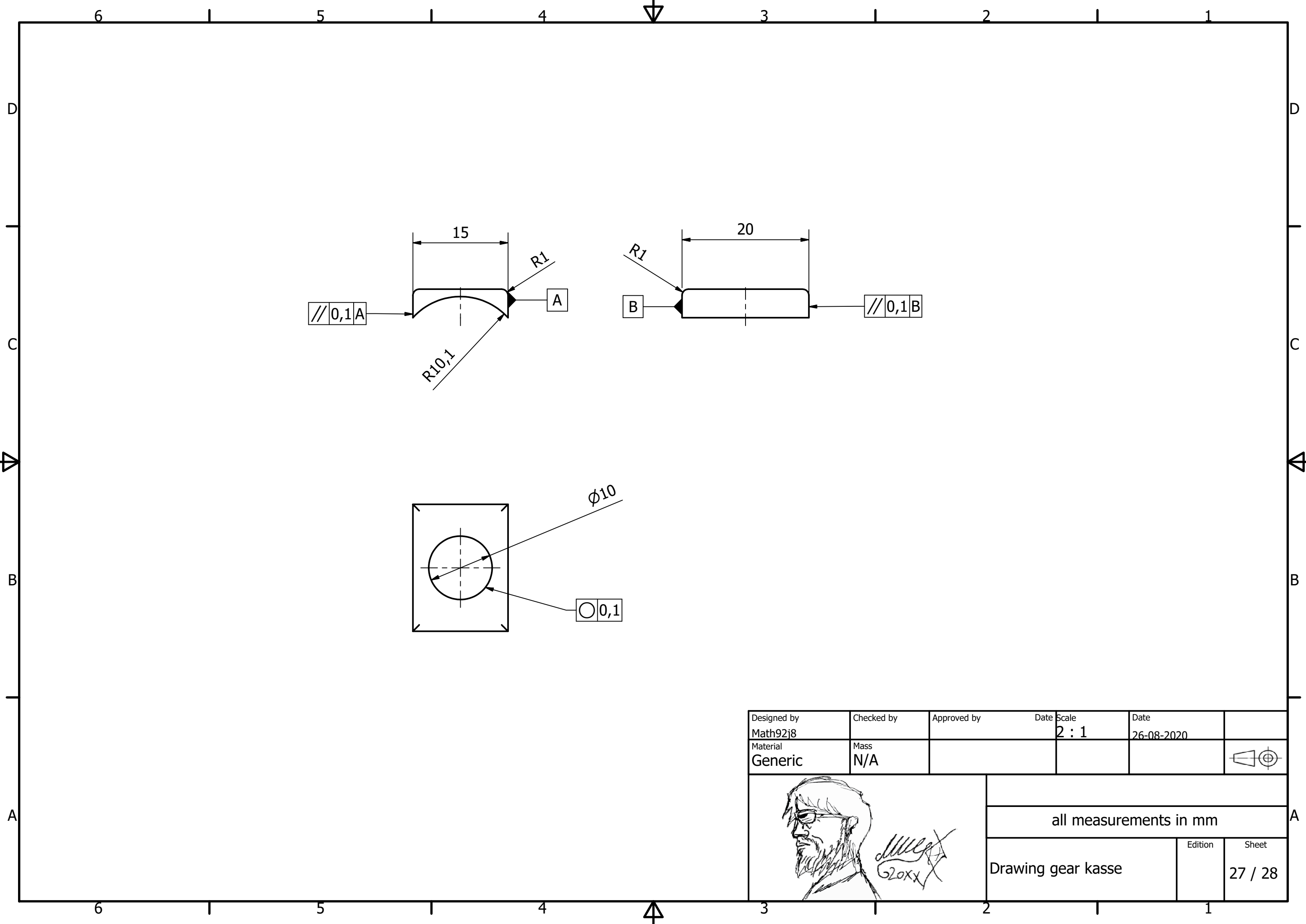
6 ul

⌒ 0,1

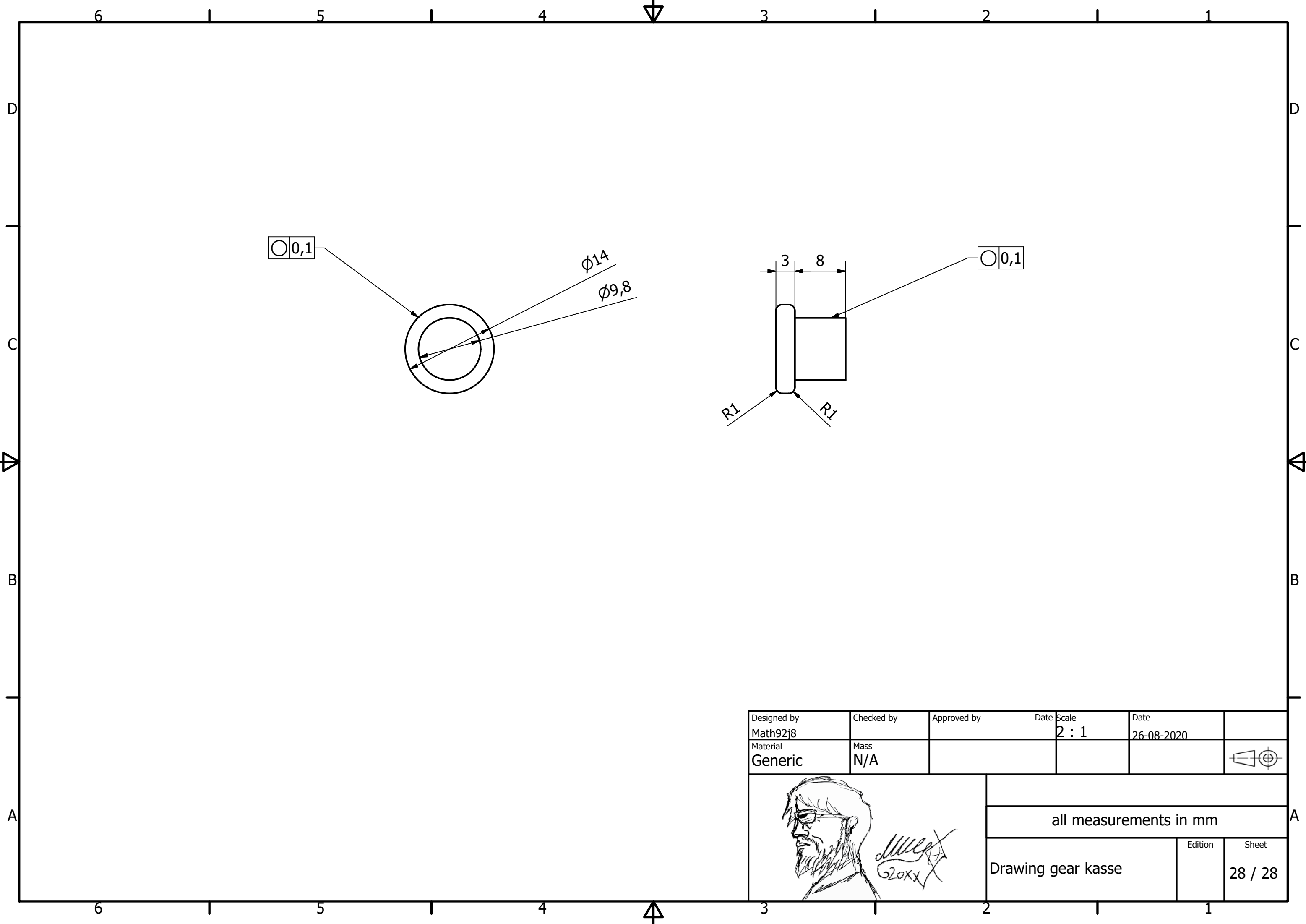
21,35

6,68

Designed by Math92j8	Checked by	Approved by	Date 26-08-2020	Scale 2 : 1	Date	
Material	Mass N/A					
		all measurements in mm				
		Drawing gear kasse		Edition	Sheet	
					26 / 28	



Designed by Math92j8	Checked by	Approved by	Date 26-08-2020	Scale 2 : 1	Date	
Material Generic	Mass N/A					
			all measurements in mm			
			Drawing gear kasse		Edition	Sheet
					27 / 28	



Designed by Math92j8	Checked by	Approved by	Date 26-08-2020	Scale 2 : 1	Date 26-08-2020	
Material Generic	Mass N/A					
			all measurements in mm			
			Drawing gear kasse		Edition	Sheet 28 / 28